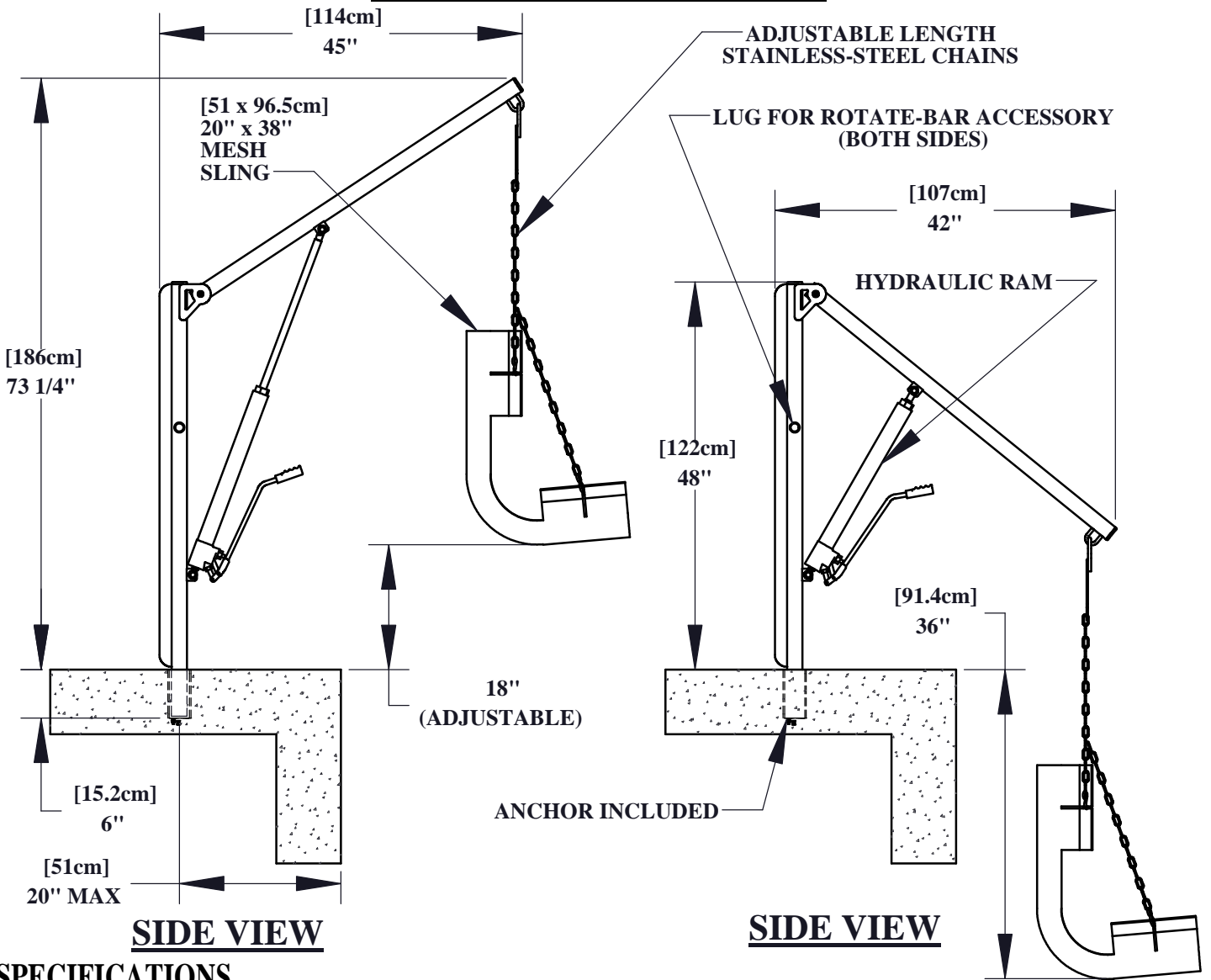


# EZ POOL™ LIFT

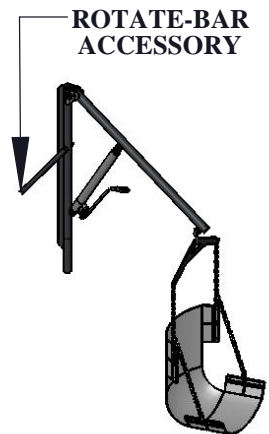


## SPECIFICATIONS

THE AQUA CREEK EZ POOL LIFT SHALL BE A HAND POWERED SPA OR IN-GROUND POOL LIFT. THE LIFT SHALL BE STAINLESS STEEL CONSTRUCTION WITH A LIFTING CAPACITY OF 400 LBS [181 kgs]. THE LIFT SHALL HAVE AN OPERATING RANGE OF 53" [134.6cm]. THE EZ POOL LIFT CAN BE SETBACK UP TO 20" [51cm] FROM THE POOL EDGE WITH A 360° MANUAL ROTATION. THE UNIT SHALL INCLUDE A 6" [15.2cm] DEEP ANCHOR WITH AN ANTI-TAMPER LID, AND A 20" [51cm] WIDE BY 38" [96.5cm] LONG MESH SLING. THE UNIT IS PORTABLE AND CAN BE REMOVED WITHOUT TOOLS. A  $\varnothing 1"$  ROTATE-BAR IS INCLUDED TO HELP ROTATE THE LIFT. A LIMITED LIFETIME WARRANTY IS STANDARD.

(AN OPTIONAL 28" [71cm] WIDE BY 50" [127cm] LONG MESH SLING IS ALSO AVAILABLE)

MAST: 1.9" [48.3mm] O.D. .145" [3.7mm] WALL STAINLESS STEEL TUBE TYPE 304 WITH REINFORCING FIN  
 BOOM: 1.9" [48.3mm] O.D. .145" [3.7mm] WALL STAINLESS STEEL TUBE TYPE 304 WITH REINFORCING FIN  
 RAM: SELF-CONTAINED POWER-PACKER HYDRAULIC RAM WITH NITROTEC FINISH  
 SLING: 100% POLYESTER MESH RATED FOR PATIENT LIFTING DEVICES, 20"W x 38"L [51cm x 96.5cm]  
 CHAIN: STAINLESS STEEL TYPE 304  
 FINISH: UV RESISTANT POLYESTER POWDER-COATING



**Aqua Creek Products**

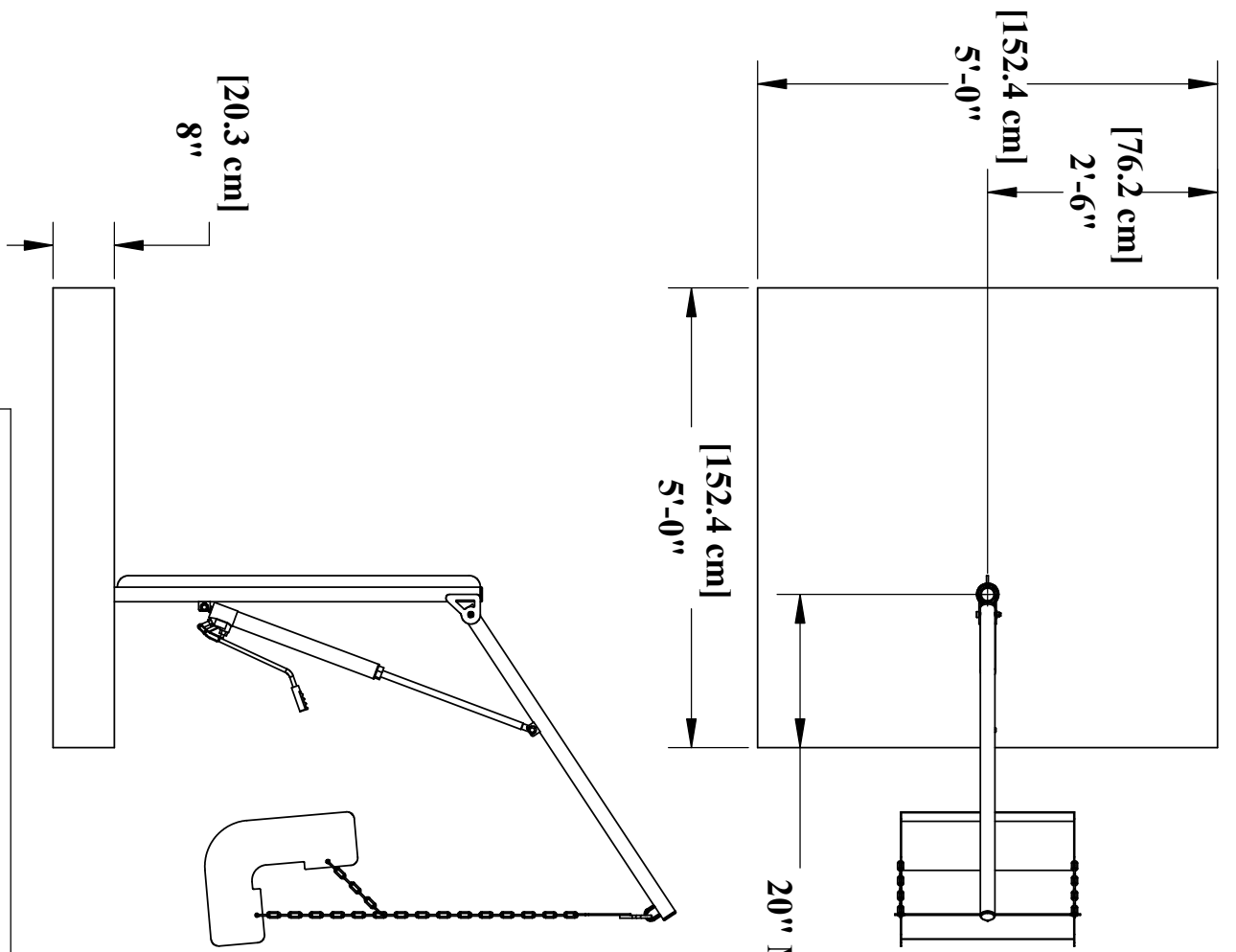
The Total Solution for Pool and Spa Access

9889 GARRYMORE LANE  
 MISSOULA, MT 59808  
 (406) 549-0769  
 FAX (406) 549-2602

NOTE:  
 \*SPECIFICATIONS ARE SUBJECT TO CHANGE WITHOUT NOTICE  
 \*ALL DIMENSIONS ARE IN INCHES

PRODUCT:	F-03EZPL	
DWG #:	F-03EZPL-1	
SCALE:	1:18	DATE: 11/19/10
DRAWN BY:	DS	REVISION: F

**NOTE: THIS DRAWING SHOWS THE AQUA CREEK EZ POOL LIFT WITH THE MINIMUM RECOMMENDED CONCRETE PAD. ANY OTHER PAD SHOULD BE AT LEAST AS WIDE, LONG AND THICK AS THE EXAMPLE SHOWN IN THIS DRAWING.**



**PROPRIETY AND CONFIDENTIAL INFORMATION**

THIS DRAWING AND ALL INFORMATION CONTAINED HEREIN IS THE SOLE PROPERTY OF AQUA CREEK PRODUCTS LLC. ANY REPRODUCTION IN PART OR AS A WHOLE WITHOUT WRITTEN PERMISSION FROM AQUA CREEK IS PROHIBITED.

**TOLERANCES:**

DIMENSIONS ARE IN INCHES UNLESS OTHERWISE SHOWN  
 FRACTIONAL: ..... ±1/16  
 ANGULAR: ..... ±1°  
 TWO PLACE DECIMAL: .... ±.01  
 THREE PLACE DECIMAL: ... ±.005

**AQUA CREEK PRODUCTS LLC**  
 9889 GARRY MORE LANE  
 MISSOULA, MT 59808  
 406-549-0769  
 1-888-687-3552

**DESCRIPTION:**

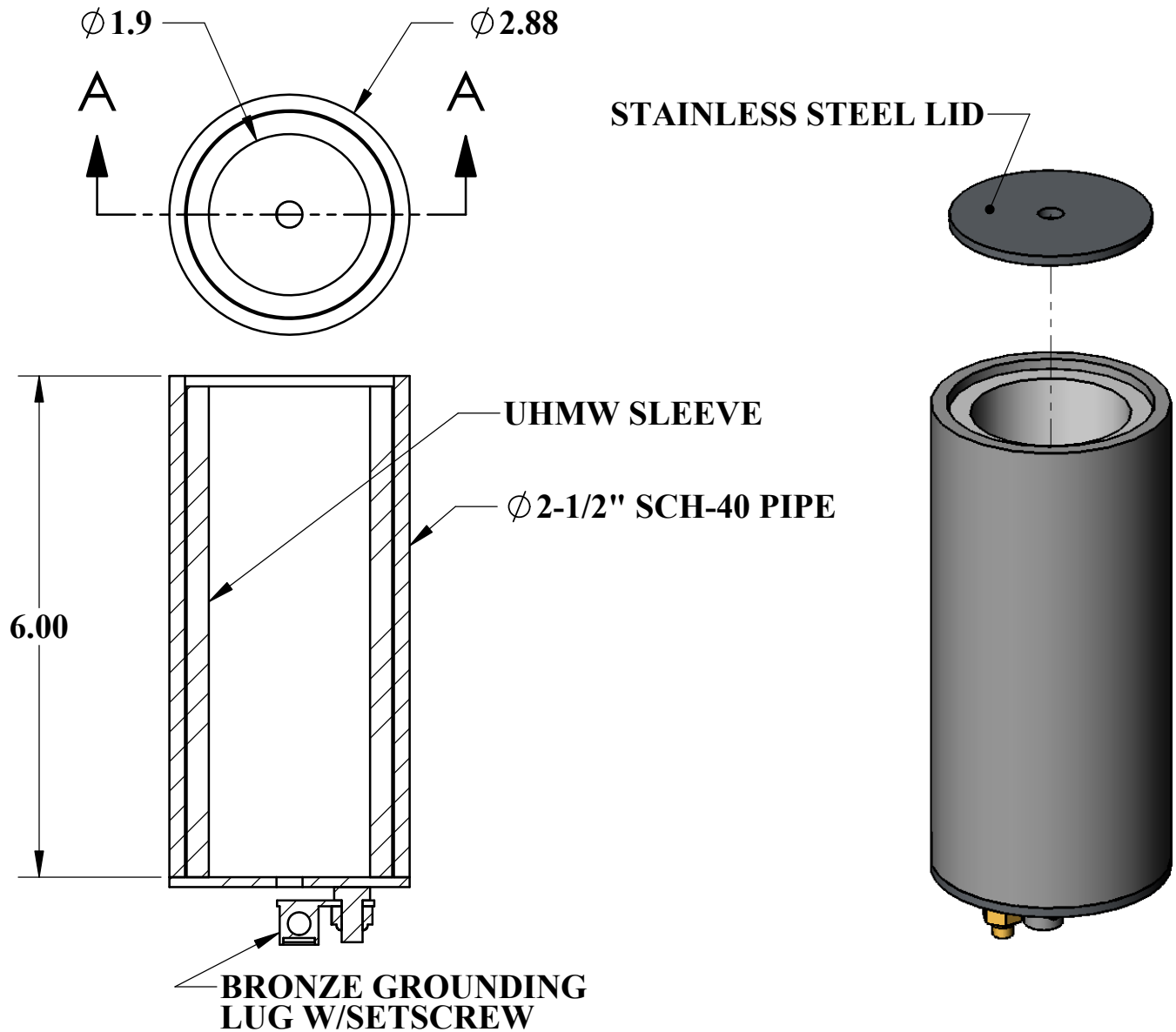
**EZ POOL LIFT CONCRETE PAD**

SCALE: 1/24

12/3/2009

1 of 1

# EZ POOL LIFT™ ANCHOR



## SPECIFICATIONS

THE AQUA CREEK EZ POOL LIFT ANCHOR SHALL BE AN ALL STAINLESS STEEL ANCHOR WITH A UHMW PIVOT SLEEVE. THE ANCHOR SHALL FIT A 1.90" [4.8 cm] O.D. MAST. THE ANCHOR SHALL COME STANDARD WITH A BRONZE GROUNDING LUG ATTACHED AT THE BOTTOM, AND AN ELECTRO-POLISHED TAMPER RESISTANT LID.

ANCHOR HOUSING: 2-1/2" [7.3 cm OD] SCH-40 304 STAINLESS STEEL PIPE  
 GROUNDING LUG: BRONZE GROUNDING LUG W/SET SCREW  
 SLEEVE: UHMW (POLYETHYLENE)  
 LID: ELECTRO-POLISHED 12 GAGE 304 STAINLESS STEEL



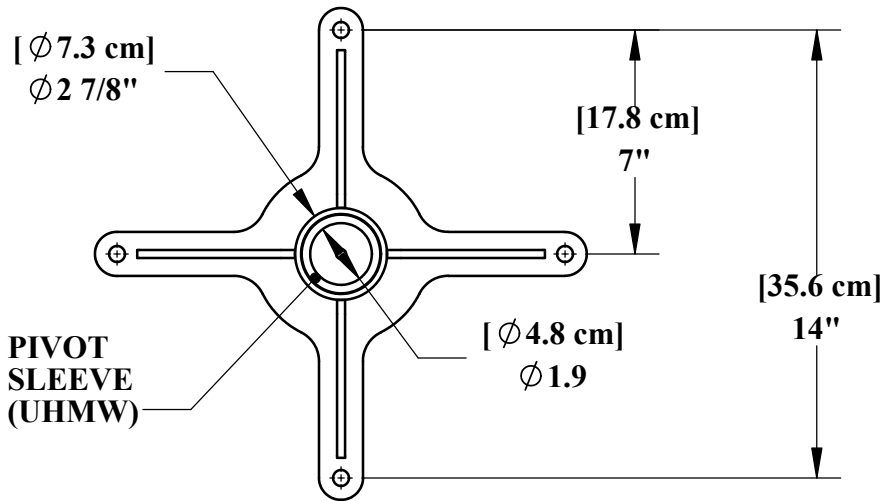
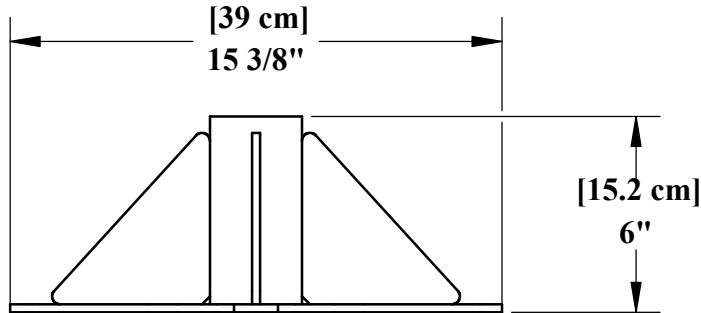
The Total Solution for Pool and Spa Access

9889 GARRY MORE LANE  
 MISSOULA, MT 59808  
 (406) 549-0769  
 FAX (406) 549-2602

NOTE:  
 \*SPECIFICATIONS ARE SUBJECT TO CHANGE WITHOUT NOTICE  
 \*ALL DIMENSIONS ARE IN INCHES

PRODUCT:	F-033EZA	
DWG #:	F-033EZA-1	
SCALE:	1:2	DATE: 12/3/09
DRAWN BY:	DS	REVISION: C

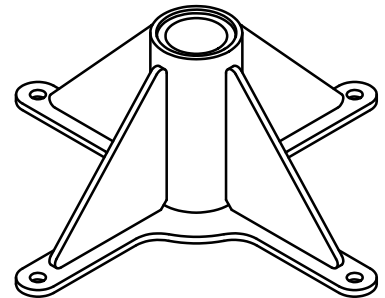
# EZ POOL LIFT™ SURFACE MOUNT ANCHOR



## SPECIFICATIONS

THE AQUA CREEK EZ SURFACE MOUNT ANCHOR SHALL BE AN ALL STAINLESS STEEL ANCHOR ASSEMBLY WITH AN UHMW PIVOT SLEEVE. THE ANCHOR ASSEMBLY SHALL BE EPOXY POWDER COATED FOR ADDITIONAL PROTECTION. THE SURFACE MOUNT ANCHOR SHALL COME WITH A TAMPER-RESISTANT LID, AND ALL MOUNTING HARDWARE, INCLUDING 3/8" [9.5 mm] DROP-IN, STAINLESS STEEL ANCHORS (4).

ANCHOR BASE PLATE: 1/4" [6.4 mm] TYPE 304 STAINLESS STEEL PLATE  
 GUSSETS: 1/4" [6.4 mm] TYPE 304 STAINLESS STEEL PLATE  
 ANCHOR HOUSING: 2-1/2" SCH-40 [Ø 7.3 cm] WELDED S.S. PIPE  
 TAMPER-RESISTANT LID: 11 GAGE TYPE 304 STAINLESS STEEL  
 PIVOT SLEEVE: UHMW (POLYETHYLENE)

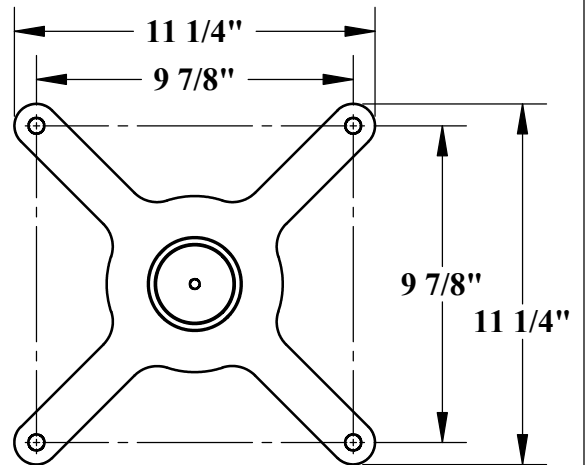
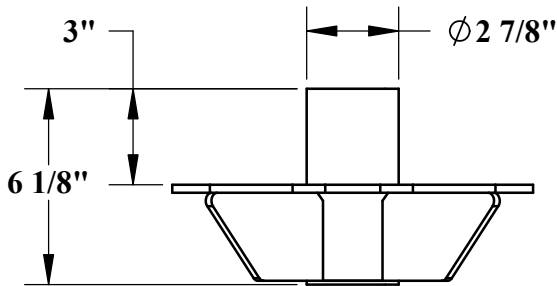


9889 GARRY MORE LANE  
 MISSOULA, MT 59808  
 (406) 549-0769  
 FAX (406) 549-2602

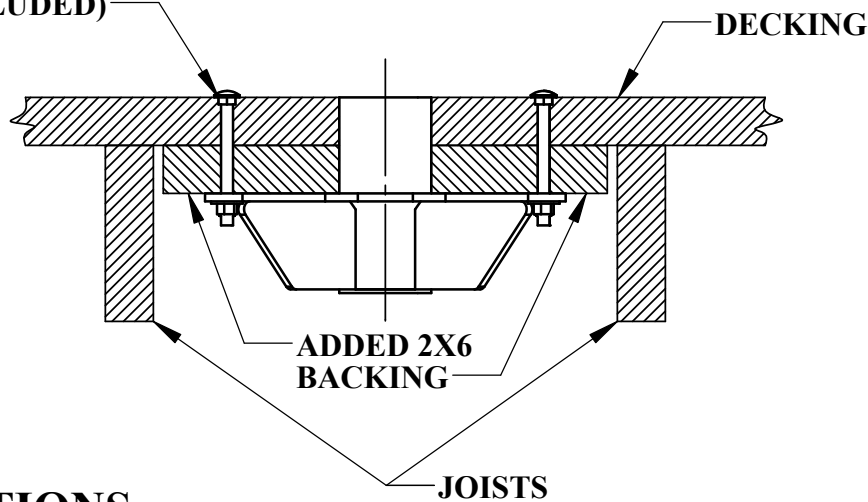
NOTE:  
 \*SPECIFICATIONS ARE SUBJECT TO CHANGE WITHOUT NOTICE  
 \*ALL DIMENSIONS ARE IN INCHES

PRODUCT: <b>EZ SURFACE MOUNT ANCHOR</b>	
DWG #:	<b>F-035EZSM</b>
SCALE:	<b>1:6</b>
DATE:	<b>11/19/07</b>
DRAWN BY:	<b>DS</b>
REVISION:	<b>B</b>

# EZ POOL LIFT™ WOOD DECK ANCHOR



Ø 3/8" X 4" CARRIAGE BOLT (4)  
(INCLUDED)

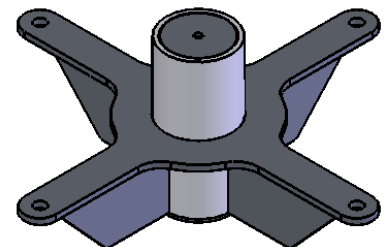


## SPECIFICATIONS

THE AQUA CREEK EZ WOOD DECK ANCHOR SHALL BE AN ALL STAINLESS STEEL ANCHOR WITH AN UHMW PIVOT SLEEVE. THE ANCHOR HOUSING SHALL HAVE AN EPOXY POWDER COATED FINISH FOR EXTRA PROTECTION. THE EZ WOOD DECK ANCHOR SHALL COME WITH AN ELECTRO-PLATED, TAMPER-RESISTANT LID, A BRONZE GROUNDING LUG, AND ALL NECESSARY MOUNTING HARDWARE, INCLUDING FOUR (4) 3/8" X 4" S.S. CARRIAGE BOLTS.

ANCHOR HOUSING:  
PLATE & GUSSETS:  
GROUNDING LUG:  
PIVOT SLEEVE:  
LID:

2-1/2" SCH-40 [Ø 7.3 cm] STAINLESS STEEL PIPE  
1/4" [6.4 mm] TYPE 304 STAINLESS STEEL PLATE  
BRONZE W/ SET SCREW  
UHMW (POLYETHYLENE)  
ELECTRO-POLISHED 12 GAGE S.S.



## Aqua Creek Products

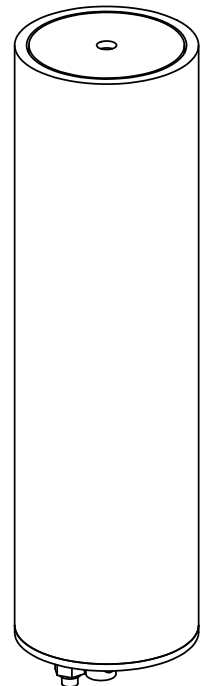
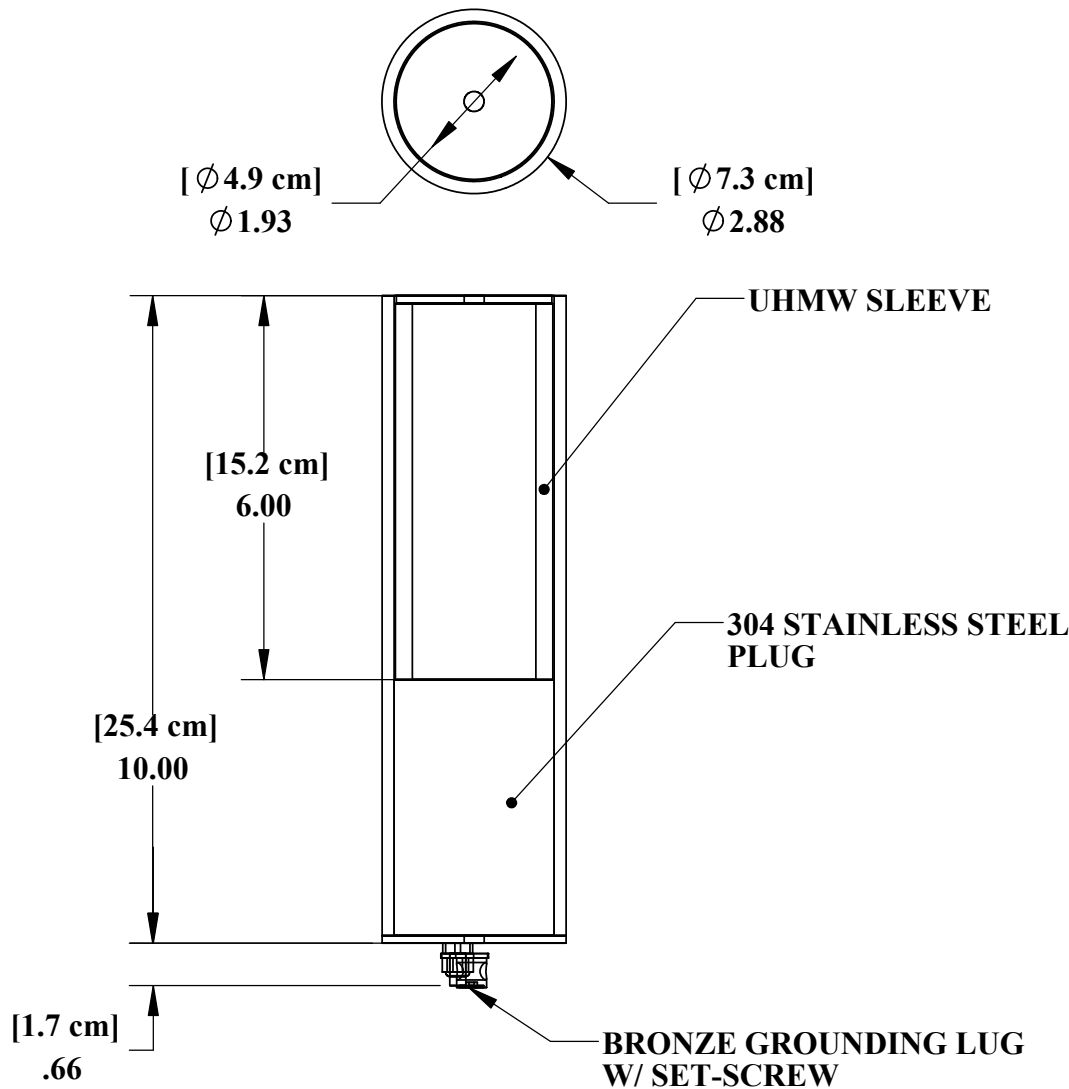
The Total Solution for Pool and Spa Access

9889 GARRY MORE LANE  
MISSOULA, MT 59808  
(406) 549-0769  
FAX (406) 549-2602

NOTE:  
\*SPECIFICATIONS ARE SUBJECT TO CHANGE WITHOUT NOTICE  
\*ALL DIMENSIONS ARE IN INCHES

PRODUCT: EZ & PEZ WOOD DECK ANC.	
DWG #: F-30600	
SCALE: 1:6	DATE: 11/30/09
DRAWN BY: DS	REVISION: C

# EZ POOL LIFT™ 10-INCH ANCHOR



## SPECIFICATIONS

THE AQUA CREEK EZ POOL LIFT 10-INCH ANCHOR SHALL BE AN ALL STAINLESS STEEL ANCHOR WITH A UHMW PIVOT SLEEVE. THE ANCHOR SHALL FIT A 1.90" [4.8 cm] O.D. MAST. THE ANCHOR SHALL COME STANDARD WITH A BRONZE GROUNDING LUG ATTACHED AT THE BOTTOM, AND AN ELECTRO-POLISHED TAMPER RESISTANT LID.

ANCHOR HOUSING: 2-1/2" [7.3 cm OD] SCH-40 304 STAINLESS STEEL PIPE  
 GROUNDING LUG: BRONZE GROUNDING LUG W/SET SCREW  
 SLEEVE: UHMW (POLYETHYLENE)  
 LID: ELECTRO-POLISHED 12 GAGE 304 STAINLESS STEEL



**Aqua Creek Products**

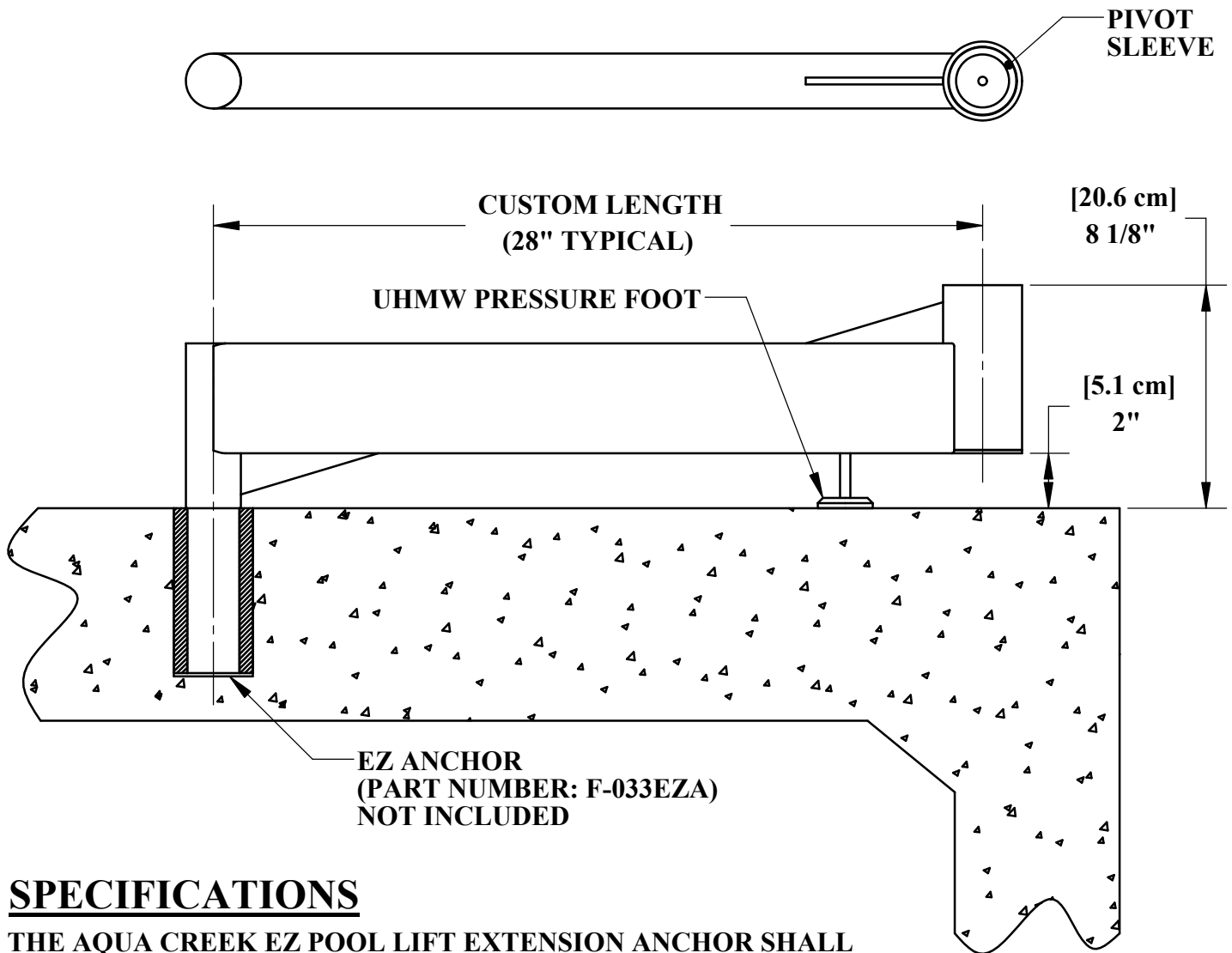
The Total Solution for Pool and Spa Access

9889 GARRY MORE LANE  
 MISSOULA, MT 59808  
 (406) 549-0769  
 FAX (406) 549-2602

NOTE:  
 \*SPECIFICATIONS ARE SUBJECT TO CHANGE WITHOUT NOTICE  
 \*ALL DIMENSIONS ARE IN INCHES

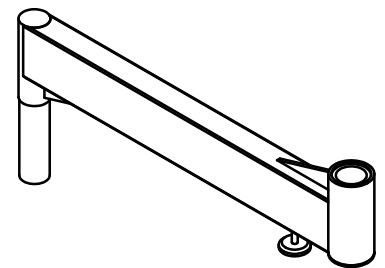
PRODUCT:	F-30220	
DWG #:	F-30220-1	
SCALE:	1:3	DATE: 12/3/09
DRAWN BY:	DS	REVISION: B

# EZ POOL LIFT™ EXTENSION ANCHOR



## SPECIFICATIONS

THE AQUA CREEK EZ POOL LIFT EXTENSION ANCHOR SHALL BE AN ALL STAINLESS STEEL ANCHOR WITH AN UHMW PIVOT SLEEVE. THE ANCHOR SHALL HAVE AN EPOXY POWDER-COATED FINISH FOR ADDED PROTECTION. THE EXTENSION ANCHOR SHALL COME WITH AN UHMW PRESSURE FOOT AND AN ANTI-TAMPER LID.



FRAME TUBE: 2" x 4" x .120" WALL [5.1cm x 10.2cm x 3mm] S.S. TUBE  
 POST: 2" [5.1cm] SOLID BAR, TYPE 304 STAINLESS STEEL  
 ANCHOR TUBE: 2-1/2" SCH-40 PIPE [Ø 7.3cm] TYPE 304 STAINLESS STEEL  
 PIVOT SLEEVE: UHMW (POLYETHYLENE)

9889 GARRY MORE LANE  
 MISSOULA, MT 59808  
 (406) 549-0769  
 FAX (406) 549-2602

NOTE:  
 \*SPECIFICATIONS ARE SUBJECT TO CHANGE WITHOUT NOTICE  
 \*ALL DIMENSIONS ARE IN INCHES



PRODUCT: <b>EZ EXTENSION ANCHOR</b>	
DWG #: <b>F-031473EZ</b>	
SCALE: <b>1:6</b>	DATE: <b>6/12/08</b>
DRAWN BY: <b>DS</b>	REVISION: <b>C</b>