



## SMARTPOOL CLIMBER NC51 ROBOTIC POOL CLEANER OPERATION MANUAL

Congratulations on your purchase of the most technologically advanced automatic pool vacuum available today. The SmartPool Climber is easy to use and will make maintaining your pool affordable and effortless. Following these simple directions will insure that the Climber will quickly and efficiently clean your pool today and for many years to come.

### INSTALLATION

- Place the power supply in an area that will allow the cleaner to cover all areas of the pool.
- Be sure to only plug the power supply into a GFI (ground fault interrupter) or ELI (earth leak interrupter) protected electrical outlet.
- Look at the power supply and check that the power supply switch is in the off position.
- Plug the power supply into the protected outlet.
- Plug in the connector from the cleaner into the power supply. The connector is keyed so that it will only plug into the power supply one way. Make sure that the plug is pushed all the way onto the power supply. Slide the connector lock (strain relief) onto the connector and turn the connector lock clockwise until it is snug.

### DO NOT RUN THE CLEANER OUT OF THE WATER.

### OPERATING THE CLEANER OUT OF THE WATER WILL DAMAGE THE MOTORS AND VOID THE WARRANTY

- Place the cleaner into the pool and if needed rock the cleaner side to side to release any trapped air. The cleaner will sink to the bottom of the pool.
- Put enough of the blue cord into the water to assure that the cleaner can easily reach all areas of the pool. (Do not place ALL of the blue cord into the pool).
- Push the power switch down away from the handle to start the 3 Hour auto cleaning program. A red Led should be lit.
- The cleaner will begin its cleaning program.
- The cleaner will automatically shut itself down after three hours.
- To turn unit off press small off switch in the middle of the switch. The led will turn off
- If a second cleaning is required or the unit is accidentally shut off, you should wait one minute before switching the unit on again.



For "Rapid Clean" place robot into the pool. Push the power switch up towards the transformer handle and a green led will light. The cleaner will quick clean the pool and turn off in 1 hour.

**IMPORTANT NOTE:** During normal operation, the cleaner will appear to shut off for a few seconds, raise the front wheels off the pool bottom and move either left or right or turn for an undetermined amount of time. This is normal and has been preprogrammed into the unit to assure the quickest and most efficient cleaning of your pool.

This unit has been designed to clean all areas of your pool. It will climb the s, and occasionally break the surface. In the process of climbing the it may stay on the surface and continue to operate from several seconds to a few minutes. This is normal operation procedure and the cleaner will eventually make its way to the bottom to continue its cleaning. Since most of the dirt is concentrated on the floor of the pool, the cleaner will spend the majority of its time on the floor.

# IMPORTANT SAFETY INSTRUCTIONS

## READ AND FOLLOW ALL INSTRUCTIONS

Risk of electrical shock or electrocution – The electrical supply to this product must be installed in accordance with the National Electrical Code and all applicable local codes and ordinances. Improper installation will create an electrical hazard which could result in death or serious injury to pool users or others due to electrical shock, and may also cause damage to property.

DO NOT USE EXTENSION CORDS - DEATH OR INJURY CAN RESULT.

To reduce the risk of injury, do not permit children to use this product unless they are closely supervised at all times

If ambient air temperature exceeds 115° F., protect the power supply from direct sunlight. Do not cover the power supply.

The sole purpose of this product is for use as a robotic pool cleaner as described in this manual; any modification or other use will void the warranty.

Do not allow children to use, touch, or play near or around the units' power supply.

A Ground Fault Current Interrupter (GFCI-USA) and Earth Leak Interrupter (ELI-EU) must be installed to protect your electrical outlet and to prevent any possible electric shock. Failure to do so could create an electrical hazard which could result in death or serious injury to pool users or others due to electrical shock and may also cause damage to property.

Do not connect unit to AC power until installation has been completed.

Do not use if unit is damaged in any way.

Unit must be completely submerged in water or warranty is void.

Make sure the robotic pool cleaner is unplugged from its power supply before opening the unit or performing any other maintenance.

To avoid damage to the power supply and cord, never carry the power supply by the cord or pull on the cord to disconnect from an outlet. Instead, disconnect by pulling the plug, itself, from the outlet. Do not pull cord around sharp corners or edges.

Do not play with the cleaner or cable or apply to body. It can trap or tear hair or body parts. The cable can trip or entangle swimmers which could result in drowning.

Do not operate with a damaged cord or power supply.

Before installing the cleaner, understand the cleaners coverage. The cleaner was not designed to automatically clean steps or to work under solar covers. It was also not designed to do initial clean up for a new pool installation.

Your cleaner should not be used while people are swimming in the pool.

The power supply must be at least 12 feet / 4 meters from the pool's edge at all times!

It is recommended that you clean your filter bag and check the impeller to make sure it is free and clear of debris after every use.

Disconnect the power supply from the outlet when not in use.

DO NOT switch the pool cleaner to "ON" if it is not immersed in the water. Operation the cleaner out of the water may cause severe damage and will result in loss of warranty. Always remember to turn the power supply "OFF" and unplug it from the power outlet before removing the cleaner from the pool.

If your robotic pool cleaner is not working as it should or has been dropped or damaged in any way, contact SmartPool Customer Service before using at [info@smartpool.com](mailto:info@smartpool.com) or visit our website at [www.smartpool.com](http://www.smartpool.com).

## SAVE THESE INSTRUCTIONS

## REMOVING THE CLEANER FROM THE POOL

- Slowly pull the blue cord to get the cleaner to the pool surface and near the edge of the pool. DO NOT PULL THE CLEANER OUT OF THE POOL BY THE CORD.
- Reach down and grasp the handle of the cleaner and remove it from the pool as shown below.



FIGURE 1: Grasping Handle



FIGURE 2: Lift from Pool by Handle

- Clean filter bag.
- Store the cleaner on the caddy.
- Loosely coil the cable on the caddy.

**The unit should be stored in an area that will afford some protection from the elements to insure that it retains its finish.**

## CLEANING THE FILTER BAG (Filter Bag Should Be Cleaned After Every Use.)

- Turn cleaner upside down and place on the ground so the bottom lid is exposed.
- Turn red locking clips (by wheel area) to the unlocked position as shown in Fig 3. Next press the two red locking clips near the roller brush in towards the center of the unit. Lift the bottom lid out.

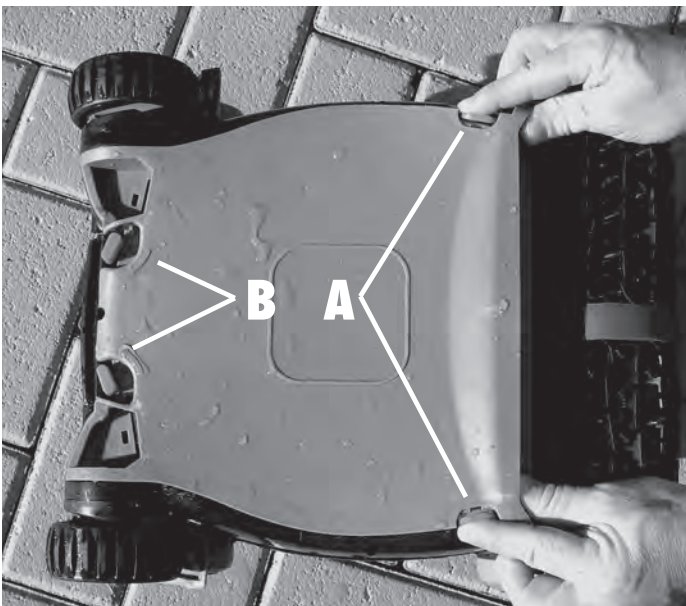


FIGURE 3

- A: Press the red locking clips inward as shown and lift lid off cleaner**
- B: Turn the red locking clips inward as indicated by arrows imprinted on lid**

- Hold the bottom lid as shown in Fig 4 and pull the tab marked "PULL TO REMOVE BAG"



FIGURE 4

- Turn filter bag inside out and hose off all debris as shown in Fig 5. If very dirty it may be washed in your washing machine, inside out, with cold water, mild detergent, and by itself. Do NOT put in the dryer.



FIGURE 5

- Hose all debris off the bottom lid being sure to get all dirt out of the fine filters on the intake doors as shown in Fig 6.



FIGURE 6

- To reattach the filter to the bottom lid, turn the filter bag right-side-out. Start at the back where the filter bag says "PUSH" and insert the filter bead into the channel, so that the tabs are holding the bag in near the label with the word "PUSH", as shown in Fig 7.



FIGURE 7

- Press the filter bead down all the way around the perimeter making sure that it is completely seated and behind all the tabs as shown in Fig 7a.



FIGURE 7A

- Pick up the bottom lid and turn it over so the bag hangs below it. Place the bottom lid back into the cleaner being careful to feed the filter bag into the body of the cleaner. **MAKE SURE ALL FILTER MATERIAL IS INSIDE THE CLEANER OTHERWISE THE LID WILL NOT CLOSE AND LATCH PROPERLY.**

- Once the bottom lid is properly seated, turn the red locking clips in the opposite direction of the arrows embossed on the bottom lid until it locks between the two raised locks (as shown in Figure 7B).



FIGURE 7B



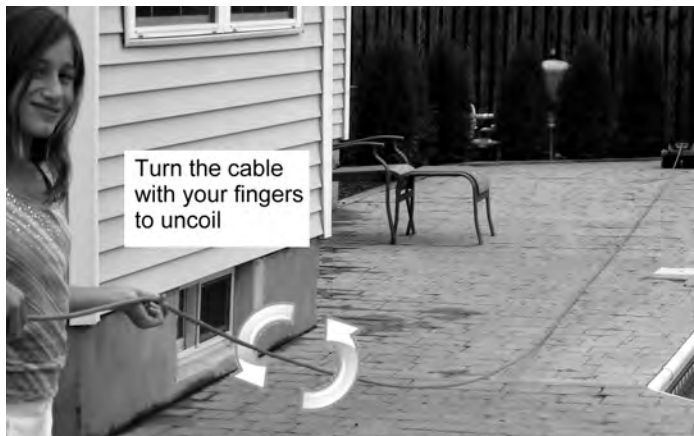
FIGURE 7C

- Press the rear section of the bottom lid into the cleaner while pushing the locking clips towards the edge of the cleaner until an audible click is heard as shown in Fig 7c.

## CABLE MAINTENANCE

In the course of using your Climber, the cord may begin to coil. Excessive coiling can lead to improper cleaning coverage of your pool.

- To uncoil the cord, it is best that the cable is wet.
- Place the cleaner on the ground as shown below.
- Be sure to use a clear area that will allow the cord to stretch out in a straight line.
- Pull the cable so it is off the ground
- Using your fingers, roll the cable in the opposite direction that it is coiled in.
- When straight, wrap cable for storage as shown below.



## STORING THE CABLE

- Loosely loop the cable as shown below.



Hold the cord close to the cleaner. Make a roughly two foot loop with the cord as shown.

When making loop, roll the cable slightly in a counter clockwise manner to maintain form. **DO NOT WRAP THE CORD TIGHTLY AROUND OBJECTS.**

When cable is properly wrapped place it on the caddy provided.

## WINTER STORAGE

If temperatures will regularly be below 45 degrees Fahrenheit or 5 degrees Celsius, the cleaner and power supply should be stored indoors.

## CADDY ASSEMBLY

Check the parts list below, if any parts are missing or damaged call SmartPool, Inc.'s Customer Service Department at 732-730-9880 for help.



- A. 1 Caddy base
- B. 2 Axle stops
- C. 6 Phillips head machine screws
- D. 6 black screw covers
- E. 2 axle washers
- F. 4 self tapping Phillips head screws
- G. 2 cleaner mounting brackets (black)
- H. 1 axle rod

- I. 1 hook support rod
- J. 2 caddy poles large
- K. 2 caddy hooks
- L. 1 caddy handle
- M. 2 wheels

### REQUIRED TOOLS

- HAMMER
- PHILLIPS HEAD SCREWDRIVER

- Take one of the cleaner mounting brackets and locate it onto the caddy base so the claw faces towards the lower part of the base as shown in Fig 8



- Turn the caddy base over and screw two self tapping screws into the base and the cleaner mounting brackets connecting the two parts. Repeat for the other cleaner mounting bracket.

- Place the caddy poles into the base with the large holes going into the base. Be sure that the small holes on the top side of the poles are positioned towards the inside of the caddy as shown in fig 9.



TURN HOLES  
TOWARD CENTER

- Place the axle rod through the caddy base insuring that it passes through the caddy poles as shown in Fig 10 The axle rod should stick out slightly on either side of the caddy



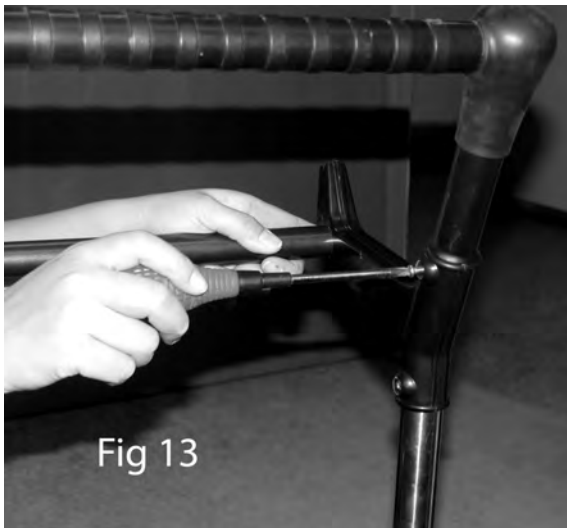
- Place an axle washer onto the axle on both sides of the caddy base.
- Slide a wheel onto both sides of the axle rod.



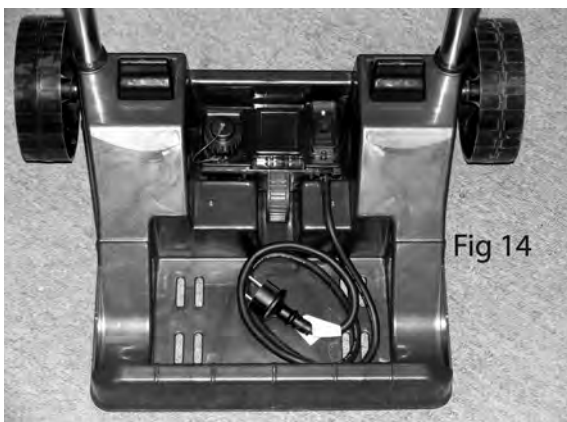
- Slide the tapered end of axle stop into axle rod Fig 11
- Turn the entire assembly on its side on a firm flat surface with the axle stop flat on the ground.
- With a hammer lightly tap the other side of the axle until the axle stop seats. When finished turn unit over, insert last axle stop and repeat process until the second axle stop is seated.



- Take one of the two caddy hooks and insert the rod support into the recessed hole in the hook. Screw one Phillips head machine screw through the caddy hook into the rod support. Snug up but do not fully tighten. Repeat for the other caddy hook as shown in Fig 12.
- Slide the caddy hook assembly onto the top of the upright caddy poles with the hooks pointing up and suspended over the caddy base. Align the screw holes on the inside of the poles with the screw boss on the caddy hooks. Screw the Phillips head machine screws most of the way in but do not tighten.
- Slide the caddy handle into the receptacle on the top of the caddy hooks. The handle should curve away from the caddy towards the back of the unit (away from the caddy hooks). Align the screw holes with the screw boss on the caddy hook. Tighten all Phillips head machine head screws at this point. (See Fig 13)



- Insert the six black screw covers into the screw bosses to hide the screw.
- Place the transformer into its mounting spot in the base of the caddy as shown in fig 14.

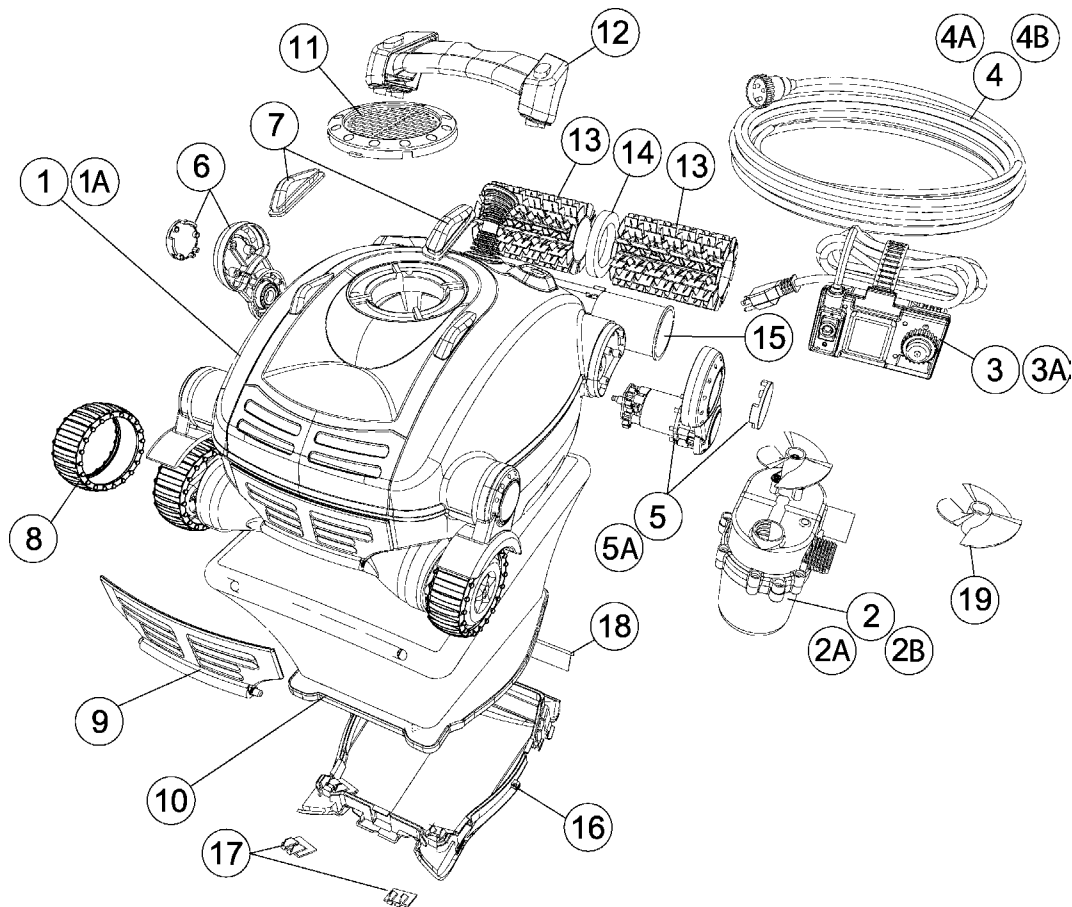


- Place the cleaner on the caddy with the wheels facing forward and down. The brushes will be suspended in this position which will increase the longevity and cleaning properties of the cleaner. Loosely wrap the cord (see above) and hang from the caddy hooks as shown in Fig 15



## TROUBLESHOOTING GUIDE

SYMPTOM	POSSIBLE REASON	SOLUTION
Cord twisting or cable coils up	Obstruction in pool	Remove obstruction in pool.
	Too much cord is being placed in pool.	Only add enough cord into pool for the cleaner to reach the bottom. Allow the cleaner to pull in the extra cord when needed.
	Excessive coiling	Uncoil the cord (see page 3 for Cable Maintenance).
	Cord is attached to the power supply	Make sure to disconnect the cord from the power supply after each use to alleviate any tension.
SmartPool Climber is moving in circles	Clogged filter bag	Clean filter bag (See Cleaning the filter bag on page 2).
	Bottom lid is not placed in the cleaner properly	Remove the bottom lid and make sure that the filter bag is on properly and place back onto cleaner. (See page 3 Figure 7)
SmartPool Climber is not covering all areas of the pool	Power supply is wrongly positioned	Place power supply in a position so that the cleaner can reach all s.
	Pool filter pump is on	Turn off pool filter pump.
	The floor and the s are too slick	Brush down the floors and the s.
	Excessive coiling	Uncoil the cord (see page 3 for Cable Maintenance).
SmartPool Climber does not climb s	Debris in filter bag	Empty and wash filter bag.
	The floor and the s are too slick	Brush down the floors and the s.
	Water is too cold	Make sure water temperature is at least 60°.
	Brushes are worn out	Replace brushes - contact your dealer.
Cleaner is not moving	Debris is in filter bag	Test cleaner without filter bag. If cleaner starts to move then clean the filter bag.
	Bottom lid is not installed properly	Remove bottom lid and make sure that the filter bag is on properly and place back onto cleaner. (See page 3 Figure 7)
SmartPool Climber will not sink	Air caught in filter bag	Remove cleaner from the pool. Wash filter bag. Place cleaner back into pool rocking the cleaner back and forth to release the air.
SmartPool Climber is doing wheelies	Debris in filter bag	Test cleaner without filter bag. If cleaner does not do wheelies then clean the filter bag.
	Debris caught around impeller tube	Check impeller tube to see if there is any hair or debris and remove.
	Bottom lid is not installed properly	Remove bottom lid and make sure that the filter bag is on properly and place back onto cleaner. (See page 3 Figure 7)
SmartPool Climber is climbing out of water	Air trapped in filter bag	Test cleaner without filter bag. If cleaner does not climb out of water then clean the filter bag.
LED on power supply is not lighting	Faulty GFI Outlet	Test the power supply by using another GFI outlet.
	Faulty extension cord	Remove the Extension cord and plug the power supply directly into a GFI outlet.
Cleaner is only moving a few feet	Improper installation of the bottom lid and/or filter bag	Test cleaner without filter bag (placing the bottom lid back on). If the cleaner is traveling more than a few feet then reinstall the bottom lid and the filter bag.
<p>If your cleaner is still not performing properly after all of the troubleshooting has been performed please contact SmartPool, Inc., Inc. Customer Support at 1-732-730-9880.            You can also visit our website at <a href="http://www.smartpool.com/website/repairs.html">http://www.smartpool.com/website/repairs.html</a> for additional videos and troubleshooting.</p>		



Location	Part #	Description
1	NC1001	NC31 & 32 Chassis
1A	NC1022	Climber Chassis
2	NC1009	NC31 & 32 Pump Motor
2A	NC1024	Climber Pump Motor (Version 1)
2B	NC1024:02	Climber Pump Motor (Version 2)
3	NC1013	NC31 & 32 Power Supply
3A	NC1023	Climber Power Supply
4	NC1012	NC31 & 32 Floating Cord
4A	NC1012XL	Climber/SmartPool Climber XL Floating Cord
4B	NC1012XL:02	Climber Floating Cord (Version 2)
5	NC1006	NC31, 32, AND 51 Drive Motor (Version 1)
5A	NC1006:02	NC51 Drive Motor (Version 2)
6	NC1010	Drive Tube Mount
7	NC1011	Chassis Bumper
8	NC1002	Sensor Wheel (Tire Only)
9	NC1005	Quick Drain Flap
10	NC1017	Filter Bag
11	NC1003	Impeller Cover
12	NC1008	Handle
13	NC1004	Drive Brush
14	NC1014	Foam Ring
15	NC1007	Drive Wheel Tube
16	NC1016	Bottom Lid
17	NC1018	Front Intake
18	NC1019	Rear Intake
19	NC1015	Impeller



## **Model NC51 2-YEAR LIMITED WARRANTY**

This product has been manufactured, tested and inspected in accordance with carefully specified engineering requirements. It is warranted to be free from defects in materials and workmanship under normal use and service, subject to qualifications, conditions and limitations described below.

SmartPool, Inc. 2 Year Limited Warranty:

One year full warranty, 2 years on Drive Motor and Pump Motor. This warranty applies only while using this product in the United States and Canada.

This warranty extends to the first consumer/purchaser for a period of 24 months from the original date of purchase.

This warranty covers only normal and reasonable use. Any damage, defects, malfunctions or other failures arising from its use without the original transformer or any use which does not comply with the instructions in this manual, including failure of the purchaser to provide reasonable and necessary maintenance, will void this warranty.

The warranty obligations of SmartPool, Inc. shall be limited to repair or replacement of the product or any defective component, at the discretion of SmartPool, Inc.. The repair or replacement may include the use of refurbished components and/or units. SmartPool, Inc. will not be liable or responsible under any circumstances or in any amount for any consequential or incidental damages, for any injury or damages to persons or property using or used in connection with this product, or for loss of profits or other costs or expenses of any kind or character.

This warranty does not include replacements of the filter bag, bottom lid, and brushes.

THERE ARE NO OTHER WARRANTIES OR REPRESENTATIONS, EITHER EXPRESSED OR IMPLIED, WHETHER OF MERCHANTABILITY, FITNESS FOR A PARTICULAR PURPOSE, OR OTHER, MADE BY SMARTPOOL, INC. OTHER THAN THOSE SPECIFICALLY SET FORTH IN THIS WARRANTY. NO PERSON, FIRM, OR CORPORATION IS AUTHORIZED TO MAKE ANY REPRESENTATIONS OR INCUR ANY OBLIGATIONS IN THE NAME OF OR ON BEHALF OF SMARTPOOL, INC., EXCEPT AS STATED HEREIN. THE REMEDIES SET FORTH IN THIS WARRANTY ARE EXPRESSLY UNDERSTOOD TO BE THE EXCLUSIVE REMEDIES AVAILABLE TO THE PURCHASER, AND THIS WARRANTY CONTAINS THE FULL AND COMPLETE AGREEMENT BETWEEN SMARTPOOL, INC. AND THE PURCHASER. THIS WARRANTY SETS FORTH THE ONLY OBLIGATIONS OF SMARTPOOL, INC. WITH REGARDS TO THIS PRODUCT, AND THERE ARE NO WARRANTIES WHICH EXTEND BEYOND THE DESCRIPTION ON THE FACE HEREOF.

This warranty gives you specific legal rights and you may also have other rights which vary from state to state.

To obtain warranty service, call SmartPool, Inc. Customer Support Specialist at 1-732-730-9880, Monday – Friday, 9:00 a.m. – 5:00 p.m. EST.

### **CAUTION:**

Some vinyl liners are more susceptible to surface wear and pattern removal than others, caused by objects such as brushes, toys, floats, chlorine dispensers, and automatic pool cleaners coming into contact with the vinyl surface. Such patterns can be easily scratched or abraded merely by rubbing the surface with a brush. Pattern ink can also rub off when they come into contact with objects in the pool. SmartPool, Inc. is not responsible for, nor does this limited warranty cover pattern removal, abrasion, and markings on or damage to any kind of vinyl liner.





## Mode d'emploi du nettoyeur automatique pour piscines SmartPool Climber NC51

Félicitations pour votre achat de l'aspirateur de piscine automatique le plus perfectionné du marché sur le plan technique. Le SmartPool Climber est facile à utiliser et vous permet de nettoyer votre piscine à moindre coût et sans efforts. En suivant ce mode d'emploi simple, vous pourrez nettoyer votre piscine rapidement et de façon efficace à l'aide du SmartPool Climber dès aujourd'hui et pour de nombreuses années à venir.

### Installation

- Placez le bloc d'alimentation électrique dans une zone permettant à la personne utilisant l'aspirateur d'accéder à l'intégralité de la piscine.
- Assurez-vous de brancher le bloc d'alimentation dans une prise de courant de sécurité uniquement, comme un disjoncteur de fuite à la terre (GFI) ou un relais de mise à la terre (ELI).
- Observez le bloc d'alimentation pour vous assurer que l'interrupteur est en position « off ».
- Branchez le bloc d'alimentation dans la prise protégée.
- Branchez le connecteur du nettoyeur dans le bloc d'alimentation. Le connecteur est claveté et pourra donc être branché au bloc d'alimentation d'une seule façon. Assurez-vous que la prise est correctement enfoncée dans le bloc d'alimentation. Faites glisser la serrure du connecteur (collier de serrage) sur le connecteur et tournez-la dans le sens des aiguilles d'une montre jusqu'à ce qu'elle soit serrée.

### NE FAITES PAS FONCTIONNER LE NETTOYEUR HORS DE L'EAU.

### FAIRE FONCTIONNER LE NETTOYEUR HORS DE L'EAU ABÎME LES MOTEURS ET ANNULE LA GARANTIE

- Placez le nettoyeur dans la piscine et, en cas de besoin, balancez-le d'un côté à l'autre pour libérer l'air pouvant être emprisonné à l'intérieur. Le nettoyeur s'enfoncera jusqu'au fond de la piscine.
- Laissez glisser une longueur suffisante du cordon bleu dans l'eau pour vous assurer que le nettoyeur atteint facilement toute la surface de la piscine.
- Mettre l'interrupteur en position basse pour commencer le cycle de travail de 3 heures de l'appareil. Un voyant rouge doit s'allumer.
- Le nettoyeur commence alors son programme de nettoyage.
- Il s'éteint automatiquement au bout de trois heures.
- Pour arrêter l'appareil, mettre l'interrupteur en position centrale. Le voyant s'éteint.
- Si un deuxième nettoyage s'avère nécessaire, ou si l'appareil s'est malencontreusement éteint, vous devez attendre une minute avant de rallumer l'unité.



Pour un cycle de nettoyage rapide, placer le robot dans la piscine. Mettre l'interrupteur en position haute, un voyant vert doit s'allumer. Le nettoyeur débute un cycle de nettoyage d'une heure de la piscine.

### REMARQUE IMPORTANTE :

Dans des conditions normales de fonctionnement, le nettoyeur semble s'éteindre pendant quelques secondes, soulève ses roulettes avant du fond de la piscine et se déplace soit vers la gauche, soit vers la droite, ou bien il tourne sur lui-même pendant un certain temps. Cette procédure normale a été programmée pour garantir le nettoyage le plus rapide et le plus efficace de votre piscine.

Cet appareil a été conçu pour nettoyer toutes les zones de votre piscine. Il montera aux parois, et atteindra la surface de temps en temps. Il est possible qu'une fois la surface atteinte, il semble continuer à progresser dans la même direction, ou flotter pendant quelques secondes à quelques minutes.

Il s'agit d'un fonctionnement normal, le nettoyeur reprendra ensuite son chemin vers le bas de la paroi pour poursuivre le nettoyage de la piscine. La majorité des impuretés se trouvant sur le sol, le nettoyeur se concentre sur le nettoyage du sol.

Compliments of [www.poolsandstuff.com](http://www.poolsandstuff.com)

# CONSIGNES DE SÉCURITÉ IMPORTANTES

## LISEZ ET SUIVEZ TOUTES LES INSTRUCTIONS

-  **Danger :** Risque de choc électrique ou d'électrocution : le bloc d'alimentation électrique de ce produit doit être installé conformément au Code national de l'électricité et à tous les codes et règlements locaux applicables. Une mauvaise installation augmente les risques de chocs électriques pouvant causer la mort ou des blessures graves aux utilisateurs de la piscine ou à d'autres personnes ainsi que des dégâts matériels.
-  **MISE EN GARDE :** N'UTILISEZ PAS DE RALLONGES ÉLECTRIQUES, CAR ELLES PEUVENT CAUSER LA MORT OU DES BLESSURES.
-  **MISE EN GARDE :** Pour réduire les risques de blessures, n'autorisez aucun enfant à utiliser ce produit.
-  **MISE EN GARDE :** Si la température ambiante de l'air dépasse 46 °C (115 ° F), ne laissez pas le bloc d'alimentation électrique exposé aux rayons directs du soleil. Ne couvrez pas le bloc d'alimentation électrique.
-  **MISE EN GARDE :** Ce produit doit uniquement être utilisé en tant que nettoyeur de piscine robotisé, tel que décrit dans ce manuel; toute modification ou tout autre usage annule sa garantie.
-  **MISE EN GARDE :** N'autorisez aucun enfant à utiliser ou à toucher le bloc d'alimentation électrique de l'appareil ni à jouer à proximité.
-  **MISE EN GARDE :** Un disjoncteur de fuite de terre (GFCI aux États-Unis et ELI en Europe) doit être installé pour protéger votre prise de courant et éviter tout risque de choc électrique. Tout manquement à cette règle crée un risque de choc électrique pouvant tuer ou blesser gravement les utilisateurs de la piscine ou d'autres personnes ainsi que causer des dégâts matériels.
-  **MISE EN GARDE :** Ne branchez pas l'appareil sur le courant alternatif tant que l'installation n'est pas terminée.
-  **MISE EN GARDE :** N'utilisez pas le produit s'il est endommagé d'une quelconque manière.
-  **MISE EN GARDE :** Lorsque vous faites fonctionner l'appareil, il doit être entièrement sous l'eau pour que la garantie s'applique.
-  **MISE EN GARDE :** Assurez-vous que le nettoyeur ne soit pas branché à son bloc d'alimentation électrique avant de l'ouvrir ou d'effectuer toute opération d'entretien.
-  **MISE EN GARDE :** Pour éviter d'endommager le bloc d'alimentation ou le câble électrique, ne déplacez jamais le bloc d'alimentation en le tenant par son câble et ne le tirez pas non plus pour le débrancher de la prise de courant. Tirez plutôt directement sur la fiche elle-même pour la débrancher. Ne tirez pas sur le câble lorsqu'il contourne des coins ou des rebords coupants.
-  **MISE EN GARDE :** Ne jouez pas avec le nettoyeur ni avec le câble et ne l'appliquez pas sur aucune partie du corps. Il peut aspirer et arracher les cheveux ou la peau. Les utilisateurs et baigneurs peuvent trébucher sur le câble ou s'empêtrer dans le câble, ce qui peut provoquer des noyades.
-  **MISE EN GARDE :** Ne faites pas fonctionner l'appareil si le câble ou le bloc d'alimentation est endommagé.
-  **MISE EN GARDE :** Avant d'installer le nettoyeur, veillez à bien comprendre sa garantie. Ce nettoyeur n'est pas conçu pour nettoyer automatiquement des marches ni fonctionner sous une couverture solaire. Il n'a pas non plus été conçu pour le premier nettoyage d'une piscine nouvellement installée.
-  **MISE EN GARDE :** Le nettoyeur ne doit pas être utilisé lorsque des baigneurs s'y trouvent.
-  **MISE EN GARDE :** Le bloc d'alimentation électrique doit à tout moment se trouver à au moins 4 mètres (12 pi) du bord de la piscine!
-  **AVERTISSEMENT :** Il est recommandé, après chaque utilisation, de nettoyer le sac filtrant et de vérifier la turbine pour s'assurer qu'aucun débris ne peut empêcher le fonctionnement de l'appareil.
-  **AVERTISSEMENT :** Débranchez le bloc d'alimentation de la prise de courant lorsque l'appareil n'est pas utilisé.
-  **AVERTISSEMENT :** N'allumez PAS le nettoyeur de piscine (« ON ») s'il n'est pas complètement sous l'eau. Faire fonctionner le nettoyeur hors de l'eau peut l'endommager gravement et annule sa garantie. N'oubliez jamais de mettre le bloc d'alimentation électrique hors tension (« OFF ») et de le débrancher de la prise électrique avant de retirer le nettoyeur de la piscine.
-  **AVERTISSEMENT :** Si votre nettoyeur est endommagé ou ne fonctionne pas adéquatement, adressez-vous au service à la clientèle de SmartPool au [info@smartpool.com](mailto:info@smartpool.com) ou consultez notre site Internet [www.smartpool.com](http://www.smartpool.com) avant de l'utiliser.

## CES INSTRUCTIONS DOIVENT ÊTRE CONSERVÉES

## Retirer le nettoyeur de la piscine

- Tirez lentement sur le cordon bleu pour approcher le nettoyeur de la surface et du rebord de la piscine. NE SORTEZ PAS LE NETTOYEUR DE LA PISCINE EN LE TIRANT PAR LE CORDON.
- Penchez-vous et saisissez la poignée du nettoyeur pour le sortir de la piscine tel qu'indiqué ci-dessous.



Image 1 SAISIR LA POIGNÉE



Image 2 LE SORTIR DE LA PISCINE PAR LA POIGNÉE

- Nettoyez le sac à filtre.
- Rangez le nettoyeur dans le chariot.
- Enroulez le cordon et accrochez-le sur le chariot.

**L'appareil doit être conservé dans un endroit l'abritant des intempéries afin de protéger son revêtement.**

## Nettoyage du sac à filtre

**Le sac à filtre doit être nettoyé après chaque utilisation.**

- Retournez le nettoyeur et posez-le sur le sol, couvercle inférieur vers le haut.
- Tournez les goupilles de verrouillage rouges (près des roulettes) en position de déverrouillage, tel qu'indiqué sur l'image 3. Appuyez ensuite sur les deux pinces de verrouillage rouges près de la brosse roulante en les poussant vers le centre de l'appareil. Soulevez le couvercle inférieur.

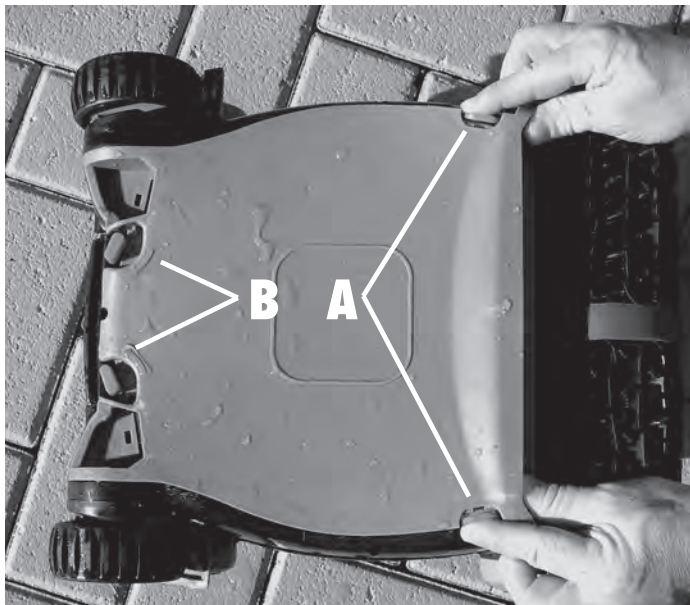


Image 3

**A: Appuyez sur les languettes tel qu'indiqué et soulevez le couvercle du nettoyeur**

**B: Tournez les boutons vers l'intérieur dans le sens des flèches situées sur le couvercle**

- Tenez le couvercle inférieur tel qu'indiqué sur l'image 4 et tirez la languette sur laquelle est écrit « TIRER POUR ENLEVER LE SAC ».



Image 4

- Retournez le sac à filtre et nettoyez les débris à l'aide d'un jet d'eau tel qu'indiqué à l'image 5. Si le sac est très sale, vous pouvez le laver seul à la machine, à l'envers, à l'eau froide et avec un détergent doux.



IMAGE 5

- Nettoyez tous les débris du couvercle inférieur pour vous assurer de retirer toute la saleté des filtres du déversoir, tel qu'indiqué à l'image 6.



IMAGE 6

- Pour rattacher le filtre au couvercle inférieur, retournez le sac à filtre. Commencez par l'arrière à l'endroit où est inscrit « PUSSEZ » (push) sur le sac à filtre et insérez le bord du filtre dans la rainure de façon à ce que les languettes maintiennent le sac au niveau de l'inscription « PUSSEZ », tel qu'indiqué à l'image 7.



IMAGE 7

- Appuyez sur l'ensemble du rebord du filtre pour vous assurer qu'il est bien enfoncé et qu'il se trouve sous les languettes, tel qu'indiqué à l'image 7a.



IMAGE 7A

- Saisissez le couvercle inférieur, puis retournez-le de façon à ce que le sac pende sous celui-ci. Remettez le couvercle inférieur sur le nettoyeur en prenant garde à insérer le sac à filtre dans le nettoyeur. **ASSUREZ-VOUS QUE LE FILTRE EST À L'INTÉRIEUR DU NETTOYEUR SINON LE COUVERCLE NE FERMERA PAS ET NE SE VERROUILLERA PAS.**

- Une fois que le couvercle inférieur est correctement installé, tournez les pinces de verrouillage rouges dans le sens inverse de celui des flèches apparaissant sur le couvercle jusqu'à ce que celui-ci s'enclenche entre les deux verrous soulevés.

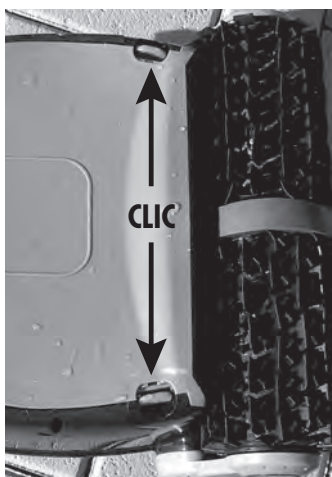


IMAGE 7C



IMAGE 7B

- Appuyez sur la partie arrière du couvercle inférieur tout en poussant les pinces de verrouillage vers l'extérieur du nettoyeur jusqu'à ce que vous entendiez un clic, tel qu'indiqué à l'image 7c.

## Entretien du cordon

Pendant l'utilisation du SmartPool Climber, il se peut que le cordon commence à s'enrouler. Des torsades excessives peuvent faire en sorte que l'aspirateur ne nettoie pas toute la surface de la piscine.

- Pour dérouler le cordon, il est préférable qu'il soit humide.
- Posez le nettoyeur sur le sol tel qu'indiqué ci-dessous.
- Assurez-vous de le poser dans un endroit dégagé où vous pourrez étendre le cordon sur toute sa longueur.
- Tirez sur le cordon de façon à ce qu'il ne touche pas le sol.
- À la main, tournez le cordon dans le sens opposé.
- Une fois que le cordon est tendu, enroulez-le pour le ranger, tel qu'indiqué ci-dessous.



## Rangement du cordon

- Enroulez le cordon de façon lâche tel qu'indiqué ci-dessous.



Tenez le cordon à proximité du nettoyeur. Formez une boucle d'environ deux pieds avec le cordon, tel qu'indiqué.

Au moment de former la boucle, enroulez le cordon légèrement dans le sens contraire des aiguilles d'une montre pour maintenir sa forme.

**NE SERREZ PAS LE CORDON AUTOUR D'OBJETS.**

Une fois que le cordon est correctement enroulé, accrochez-le sur le chariot fourni.

## Stockage pour l'hiver

Si les températures tombent régulièrement en dessous de 5 degrés Celsius (45 degrés Fahrenheit), le nettoyeur et le bloc d'alimentation doivent être rangés à l'intérieur.

## Montage du chariot

Vérifiez la liste des pièces ci-dessous; s'il manque une pièce, ou si un élément est abîmé, appelez le centre du service à la clientèle de SmartPool, Inc. au 732-730-9880 pour obtenir de l'aide.



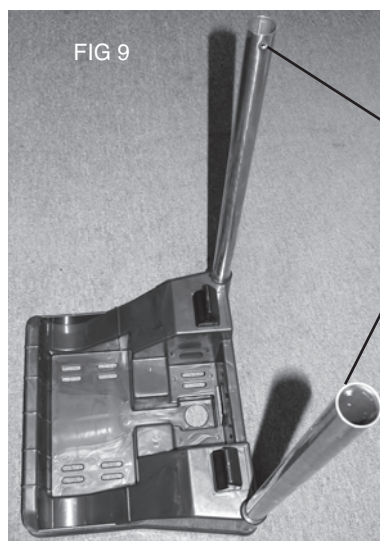
- |  |                                 |
|--|---------------------------------|
| A. 1 base du chariot                           | I. 1 barre de soutien à crochet |
| B. 2 bouchons de l'axe                         | J. 2 longs poteaux pour chariot |
| C. 6 vis cruciformes                           | K. 2 crochets de chariot        |
| D. 6 capuchons de vis noirs                    | L. 1 poignée de chariot         |
| E. 2 rondelles d'axe                           | M. 2 roulettes                  |
| F. 4 vis cruciformes autotaraudeuses           | OUTILS REQUIS                   |
| G. 2 supports de fixation du nettoyeur (noirs) | • MARTEAU                       |
| H. 1 barre d'axe fine                          | • TOURNEVIS CRUCIFORME          |

- Prenez l'un des supports de fixation du nettoyeur et placez-le sur la base du chariot de façon à ce que la partie repliée soit tournée vers la partie inférieure de la base, tel qu'indiqué à l'image 8.



- Retournez la base du chariot et vissez deux vis autotaraudeuses dans la base et dans les supports de fixation du nettoyeur reliant les deux parties. Recommencez pour l'autre support de fixation du nettoyeur.

- Installez les poteaux du chariot dans la base, l'extrémité comportant les gros trous s'enfonçant dans la base. Assurez-vous que les petits trous situés sur l'extrémité supérieure des poteaux sont tournés vers l'intérieur du chariot, tel qu'indiqué à l'image 9.



Orientez les trous vers le centre

- Faites passer la barre d'axe à travers la base du chariot en vous assurant qu'elle traverse les poteaux du chariot, tel qu'indiqué à l'image 10. La barre d'axe doit légèrement dépasser de chaque côté du chariot.



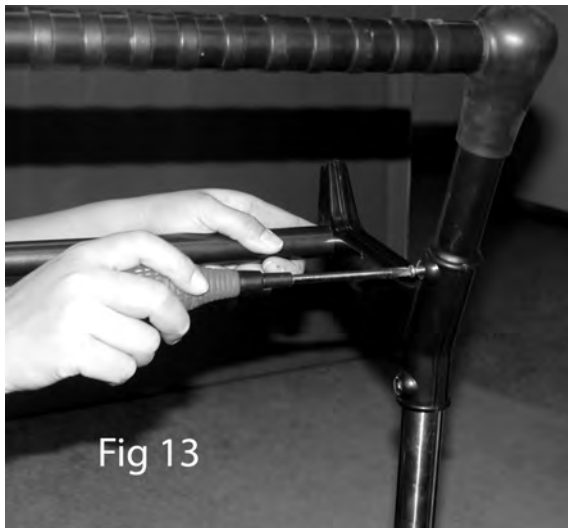
- Placez une rondelle d'axe sur l'axe, des deux côtés de la base du chariot.
- Enfilez une roulette de chaque côté de la barre d'axe.



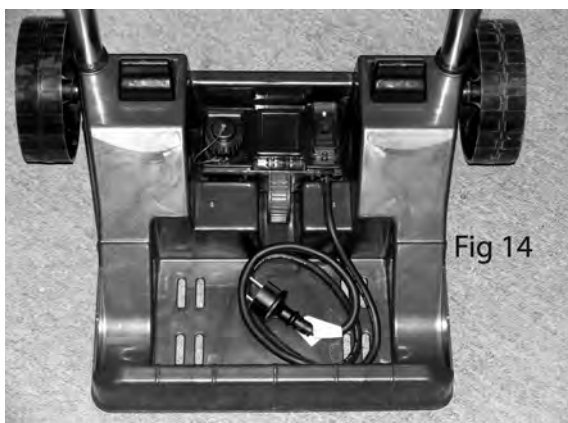
- Faites glisser l'extrémité effilée du bouchon de l'axe dans la barre d'axe (IMAGE 11).
- Tournez le montage sur le côté sur une surface lisse et solide, bouchon de l'axe à plat sur le sol.
- À l'aide d'un marteau, tapez légèrement sur l'autre côté de l'axe jusqu'à ce que le bouchon de l'axe soit correctement positionné. Lorsque vous avez fini, retournez l'unité, insérez le dernier bouchon de l'axe et recommencez le processus jusqu'à ce que le deuxième bouchon de l'axe soit bien en place.



- Insérez la barre de soutien dans le trou d'un des crochets du chariot. Insérez une vis cruciforme dans le crochet du chariot et vissez-la dans la barre de soutien. Ne serrez pas à fond. Recommencez avec l'autre crochet du chariot, tel qu'indiqué à l'image 12.
- Insérez le montage des crochets en haut des poteaux verticaux du chariot, les crochets tournés vers le haut et situés au dessus de la base du chariot. Alignez les trous à vis de la face interne des poteaux sur les trous à vis situés sur les crochets du chariot. Insérez les vis cruciformes presque entièrement, mais ne serrez pas.
- Installez la poignée du chariot dans le logement situé en haut des crochets. La poignée doit former une courbe vers l'arrière du chariot (à distance des crochets). Alignez les trous à vis sur les trous à vis situés sur les crochets du chariot. Serrez l'ensemble des vis cruciformes du chariot. Image 13



- Couvrez les vis à l'aide des six bouchons à vis noirs pour les dissimuler.
- Installez le transformateur dans l'emplacement prévu à cet effet sur la base du chariot, tel qu'indiqué à l'image 14.

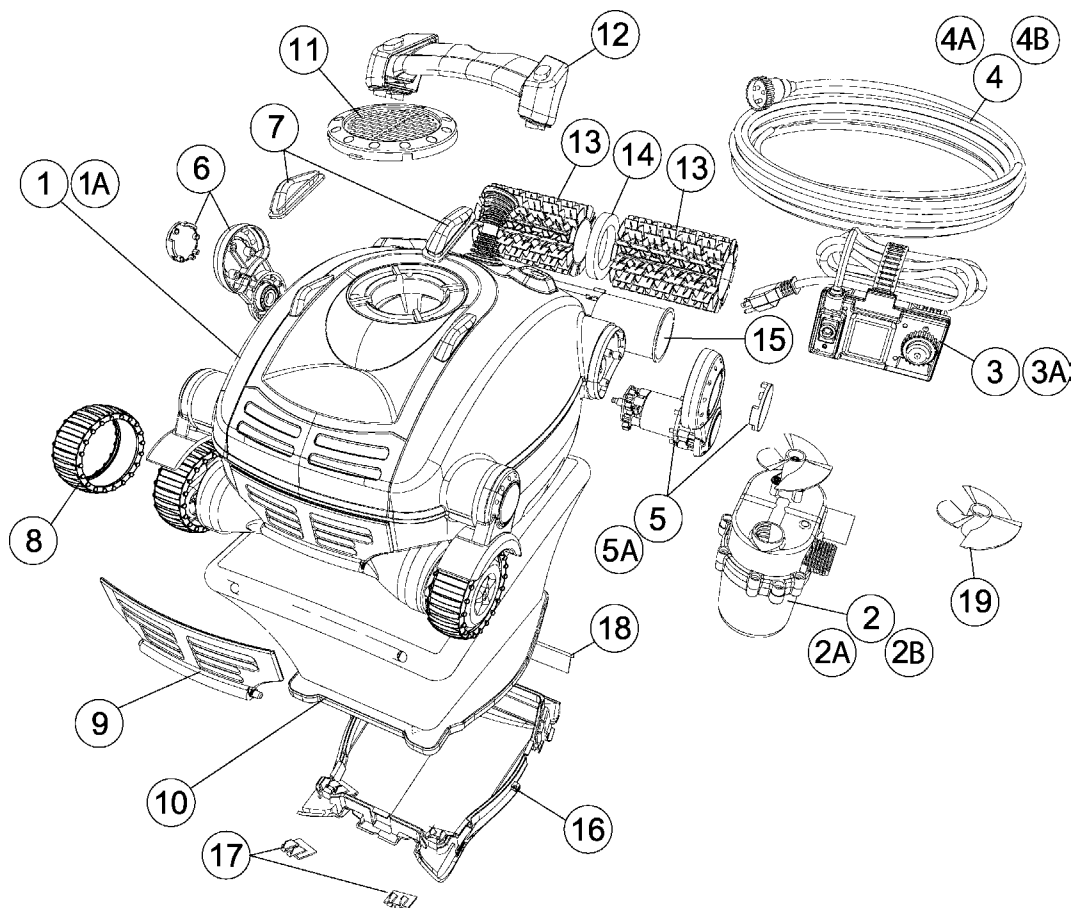


- Posez le nettoyeur sur le chariot, les roulettes orientées vers l'avant et vers le bas. Les brosses seront suspendues dans cette position, ce qui augmente la longévité et les capacités de nettoyage du nettoyeur. Enroulez le cordon (voir plus haut) et attachez-le aux crochets du chariot, tel qu'indiqué à l'image 15.



## Guide de dépannage

SYMPTÔME	RAISON POSSIBLE	SOLUTION
<b>Le cordon se tord ou le câble s'enroule</b>	Obstruction dans la piscine	Enlever l'obstruction dans la piscine.
	La longueur du cordon placée dans la piscine est trop importante.	Ne placez dans la piscine qu'une longueur de cordon suffisante pour permettre à l'appareil de nettoyage d'atteindre le fond. Laissez le cordon excédentaire rentrer dans l'appareil de nettoyage, au besoin.
	Enroulement excessif	Déroulez le cordon (se reporter à la page 3, Entretien du câble)
	Le cordon est branché au bloc d'alimentation	Assurez-vous de débrancher le cordon du bloc d'alimentation après chaque utilisation afin de soulager la tension
<b>SmartPool Climber se déplace en cercle</b>	Sac à filtre obstrué	Nettoyez le sac à filtre (se reporter à Nettoyage du sac à filtre, sur la page 2)
	Le couvercle inférieur n'est pas posé correctement dans l'appareil de nettoyage	Enlevez le couvercle inférieur, assurez-vous que le sac à filtre est installé correctement et remettez-le dans l'appareil de nettoyage. (Voir page 3, figure 7)
<b>SmartPool Climber ne couvre pas l'ensemble de la piscine</b>	Le bloc d'alimentation est mal positionné	Positionnez le bloc d'alimentation de façon à ce que l'appareil de nettoyage puisse atteindre toutes les parois.
	La pompe pour filtration de la piscine est en marche	Eteignez la pompe pour filtration de la piscine.
	Le sol et les parois sont trop glissants	Brossez le sol et les parois.
	Enroulement excessif	Déroulez le cordon (se reporter à la page 3, Entretien du câble)
<b>SmartPool Climber ne monte pas sur les parois</b>	Débris dans le sac à filtre	Videz le sac à filtre et lavez-le.
	Le sol et les parois sont trop glissants	Brossez le sol et les parois.
	L'eau est trop froide	Assurez-vous que la température de l'eau atteint au moins 60°.
	Les brosses sont usées	Remplacez les brosses – communiquez avec votre fournisseur.
<b>L'appareil de nettoyage ne se déplace pas</b>	Débris dans le sac à filtre	Essayez l'appareil de nettoyage sans le sac à filtre. Si l'appareil de nettoyage commence à se déplacer, nettoyez le sac à filtre.
	Le couvercle inférieur n'est pas installé correctement	Enlevez le couvercle inférieur, assurez-vous que le sac à filtre est installé correctement et remettez-le dans l'appareil de nettoyage. (Voir page 3, figure 7)
<b>SmartPool Climber ne s'enfonce pas dans l'eau</b>	Air emprisonné dans le sac à filtre	Sortez l'appareil de nettoyage de la piscine. Lavez le sac à filtre. Remettez l'appareil de nettoyage dans la piscine, en le balançant d'avant en arrière pour faire sortir l'air
<b>SmartPool Climber fait des cabrés</b>	Débris dans le sac à filtre	Essayez l'appareil de nettoyage sans le sac à filtre. Si l'appareil de nettoyage ne fait pas de cabrés, nettoyez le sac à filtre.
	Débris emprisonnés autour du tube de la roue	Vérifiez le tube de la roue afin de déceler la présence de cheveux ou de débris, et enlevez-les au besoin.
	Le couvercle inférieur n'est pas installé correctement	Enlevez le couvercle inférieur, assurez-vous que le sac à filtre est installé correctement et remettez-le dans l'appareil de nettoyage. (Voir page 3, figure 7)
<b>SmartPool Climber sort de</b>	Air emprisonné dans le sac à filtre	Essayez l'appareil de nettoyage sans le sac à filtre. Si l'appareil de nettoyage ne sort pas de l'eau, nettoyez le sac à filtre.
<b>Le voyant DEL du bloc d'alimentation ne s'allume pas</b>	Prise avec disjoncteur de fuite de terre défectueuse	Vérifiez le bloc d'alimentation en utilisant une autre prise avec disjoncteur de fuite de terre.
	Rallonge défectueuse	Enlevez la rallonge et branchez le bloc d'alimentation directement sur une prise avec disjoncteur de fuite de terre.
<b>L'appareil de nettoyage ne parcourt que quelques pieds.</b>	Installation incorrecte du couvercle inférieur ou du sac à filtre	Essayez l'appareil de nettoyage sans le sac à filtre (remettez d'abord le couvercle inférieur). Si l'appareil de nettoyage parcourt plus de quelques pieds, réinstallez le sac à filtre et le couvercle inférieur.
Si, après avoir suivi toutes les étapes de dépannage, votre appareil de nettoyage ne fonctionne toujours pas bien, veuillez communiquer avec le service à la clientèle de SmartPool, Inc. au 1-732-730-9880. Vous pouvez également vous rendre sur notre site Web à l'adresse <a href="http://www.smartpool.com/website/repairs.html">http://www.smartpool.com/website/repairs.html</a> pour visionner des vidéos et pour des solutions de dépannage supplémentaires.		



Emplacement	N° de pièce	Description
1	NC1001	Châssis NC31 et 32
1A	NC1022	Châssis Climber
2	NC1009	Moteur de pompe NC31 et 32
2A	NC1024	Moteur de pompe Climber (Version 1)
2B	NC1024:02	Moteur de pompe Climber (Version 2)
3	NC1013	Boîtier d'alimentation NC31 et 32
3A	NC1023	Boîtier d'alimentation Climber
4	NC1012	Cordon flottant NC31 et 32
4A	NC1012XL	Cordon flottant Climber
4B	NC1012XL:02	Cordon flottant Climber (Version 2)
5	NC1006	Moteur d'entraînement NC31, 32 et 51 (Version 1)
5A	NC1006:02	Moteur d'entraînement NC51 (Version 2)
6	NC1010	Support du tube d'entraînement
7	NC1011	Butoir du châssis
8	NC1002	Roue de capteur (pneu seulement)
9	NC1005	Clapet de vidange rapide
10	NC1017	Sac filtrant
11	NC1003	Grille de protection de la turbine
12	NC1008	Poignée
13	NC1004	Brosse d'entraînement
14	NC1014	Anneau en mousse
15	NC1007	Tube de la roue d'entraînement
16	NC1016	Couvercle inférieur
17	NC1018	Admission avant
18	NC1019	Admission arrière
19	NC1015	Turbine

## NC51 GARANTIE LIMITÉE DE DEUX ANS

Ce produit a été fabriqué, testé et vérifié conformément aux exigences techniques particulières. Il est garanti contre les défauts matériels et les vices de fabrication dans des conditions normales d'utilisation, et il est soumis aux conditions et aux limitations décrites ci-dessous.

Garantie limitée de deux ans de SmartPool, Inc. :

Garantie complète d'un an et garantie de deux ans sur le moteur d'entraînement et sur le moteur d'aspiration. La présente garantie s'applique uniquement à l'utilisation du produit au Canada et aux États-Unis.

La garantie est offerte au premier acheteur ou consommateur pendant une durée de 24 mois suivant la date initiale de l'achat.

La garantie porte uniquement sur l'utilisation normale et raisonnable. Tout dégât, défaut, mauvais fonctionnement ou toute autre défaillance résultant de l'utilisation de l'unité sans le transformateur d'origine ou de toute utilisation non conforme aux instructions contenues dans le présent guide, notamment le défaut d'entretien raisonnable et nécessaire par l'acheteur, annulent la présente garantie.

Les obligations de la garantie de SmartPool, Inc. sont limitées à la réparation ou au remplacement du produit ou de tout composant défectueux, au gré de SmartPool, Inc.. La réparation ou le remplacement de pièces peut inclure le recours aux composants et aux appareils remis à neuf. En aucun cas ou pour quelque montant que ce soit, SmartPool, Inc. ne sera tenu responsable de dommages indirects ou accidentels, de préjudices ou de blessures survenus à des personnes utilisant l'appareil, ou à des biens utilisés en rapport avec celui-ci, ou encore d'aucune perte de profit ou coûts et dépenses de quelque type ou nature que ce soit.

La présente garantie ne porte pas sur le remplacement du sac à filtre, du couvercle inférieur ou des brosses.

SMARTPOOL, INC. N'A CONCÉDÉ AUCUNE AUTRE GARANTIE ET N'A FORMULÉ AUCUNE DÉCLARATION EXPRESSE OU IMPLICITE CONCERNANT LA QUALITÉ MARCHANDE, L'ADAPTATION À UN USAGE PARTICULIER OU AUTRE, EN DEHORS DES DISPOSITIONS EXPRESSÉMENT INDIQUÉES DANS LA PRÉSENTE GARANTIE. AUCUNE PERSONNE, PERSONNE MORALE OU ENTREPRISE N'EST AUTORISÉE À FAIRE DES OBSERVATIONS OU À CONTRACTER DES OBLIGATIONS AU NOM DE SMARTPOOL, INC., À L'EXCEPTION DES DISPOSITIONS MENTIONNÉES AUX PRÉSENTES. LES PROCÉDURES DE RECOURS MENTIONNÉES DANS LA PRÉSENTE GARANTIE SONT EXPRESSÉMENT COMPRIS COMME ÉTANT DES PROCÉDURES DE RECOURS DISPONIBLES POUR LE PROPRIÉTAIRE DE L'APPAREIL, ET CETTE GARANTIE CONSTITUE L'ACCORD INTÉGRAL ET EXHAUSTIF ENTRE SMARTPOOL, INC. ET LE PROPRIÉTAIRE DE L'APPAREIL. LA PRÉSENTE GARANTIE ÉTABLIT LES SEULES OBLIGATIONS DE SMARTPOOL, INC. RELATIVES À L'APPAREIL; IL N'EXISTE AUCUNE AUTRE GARANTIE S'ÉTENDANT AU-DELÀ DE LA DESCRIPTION FAITE AUX PRÉSENTES.

La présente garantie vous octroie des droits reconnus par la loi, et il se peut que vous ayez d'autres droits variant d'un État à l'autre, ou d'une province à l'autre.

Pour obtenir un service au titre de la garantie, appelez un représentant technique (Customer Support Specialist) de SmartPool, Inc. au 1-732-730-9880, du lundi au vendredi de 9 h à 17 h HNE.

### **ATTENTION :**

Certains liners de vinyle sont davantage sujets à la dégradation superficielle ou à l'usure des motifs dues à des objets comme les brosses, les flotteurs, les jouets, les distributeurs de chlore et les aspirateurs de piscine automatiques lorsque ceux-ci entrent en contact avec les surfaces de vinyle. De tels motifs peuvent être sérieusement égratignés ou abrasés, rien qu'en frottant la surface à la brosse. L'encre des motifs peut également s'estomper en cas de contact avec des objets dans la piscine. SmartPool, Inc. n'est pas responsable de l'usure des motifs, de l'abrasion, des marques ou de tout autre dommage de quelque sorte que ce soit survenant aux liners de vinyle, pas plus que la présente garantie limitée ne couvre les dommages cités.



[www.smartpool.com](http://www.smartpool.com)

Compliments of [www.poolsandstuff.com](http://www.poolsandstuff.com)