





SMARTPOOL SCRUBBER60 (NC71) ROBOTIC POOL CLEANER OPERATION MANUAL

IMPORTANT SAFETY INSTRUCTIONS

READ AND FOLLOW ALL INSTRUCTIONS

-  **DANGER:** Risk of electrical shock or electrocution – The electrical supply to this product must be installed in accordance with the National Electrical Code and all applicable local codes and ordinances. Improper installation will create an electrical hazard which could result in death or serious injury to pool users or others due to electrical shock, and may also cause damage to property.
-  **WARNING:** DO NOT USE EXTENSION CORDS - DEATH OR INJURY CAN RESULT.
-  **WARNING:** To reduce the risk of injury, do not permit children to use this product unless they are closely supervised at all times
-  **WARNING:** If ambient air temperature exceeds 115° F., protect the power supply from direct sunlight. Do not cover the power supply.
-  **WARNING:** The sole purpose of this product is for use as a robotic pool cleaner as described in this manual; any modification or other use will void the warranty.
-  **WARNING:** Do not allow children to use, touch, or play near or around the units' power supply.
-  **WARNING:** A Ground Fault Current Interrupter (GFCI-USA) and Earth Leak Interrupter (ELI-EU) must be installed to protect your electrical outlet and to prevent any possible electric shock. Failure to do so could create an electrical hazard which could result in death or serious injury to pool users or others due to electrical shock and may also cause damage to property.
-  **WARNING:** Do not connect unit to AC power until installation has been completed.
-  **WARNING:** Do not use if unit is damaged in any way.
-  **WARNING:** Unit must be completely submerged in water or warranty is void.
-  **WARNING:** Make sure the robotic pool cleaner is unplugged from its power supply before opening the unit or performing any other maintenance.
-  **WARNING:** To avoid damage to the power supply and cord, never carry the power supply by the cord or pull on the cord to disconnect from an outlet. Instead, disconnect by pulling the plug, itself, from the outlet. Do not pull cord around sharp corners or edges.
-  **WARNING:** Do not play with the cleaner or cable or apply to body. It can trap or tear hair or body parts. The cable can trip or entangle swimmers which could result in drowning.
-  **WARNING:** Do not operate with a damaged cord or power supply.
-  **WARNING:** Before installing the cleaner, understand the cleaners coverage. The cleaner was not designed to automatically clean steps or to work under solar covers. It was also not designed to do initial clean up for a new pool installation.
-  **WARNING:** Your cleaner should not be used while people are swimming in the pool.
-  **WARNING:** The power supply must be at least 12 feet / 4 meters from the pool's edge at all times!
-  **CAUTION:** It is recommended that you clean your filter bag and check the impeller to make sure it is free and clear of debris after every use.
-  **CAUTION:** Disconnect the power supply from the outlet when not in use.
-  **CAUTION:** DO NOT switch the pool cleaner to "ON" if it is not immersed in the water. Operation the cleaner out of the water may cause severe damage and will result in loss of warranty. Always remember to turn the power supply "OFF" and unplug it from the power outlet before removing the cleaner from the pool.
-  **CAUTION:** If your robotic pool cleaner is not working as it should or has been dropped or damaged in any way, contact SmartPool, Inc. Customer Service before using at 1-732-730-9880 or visit our website at www.smartpool.com.

SAVE THESE INSTRUCTIONS

www.smartpool.com

Congratulations on your purchase of the most technologically advanced automatic pool vacuum available today. The Scrubber60 is easy to use and will make maintaining your pool affordable and effortless. Following these simple directions will insure that the Scrubber60 will quickly and efficiently clean your pool today and for many years to come.

INSTALLATION

- Check to make sure the power supply is in the off position.
- Plug the power supply into a GFL (ground Fault Interrupted) or ELI (Earth Link Interrupter) protected electrical outlet. (110 Volt)
- Do not plug the power supply into an extension cord.
- Plug the floating cleaner cord into the power supply.
- Plug in the connector from the cleaner into the power supply. The connector is keyed so that it will only plug into the power supply one way. Make sure that the plug is pushed all the way onto the power supply. Slide the connector lock (strain relief) onto the connector and turn the connector lock clockwise until it is snug.

DO NOT RUN THE CLEANER OUT OF THE WATER.

OPERATING THE CLEANER OUT OF THE WATER WILL DAMAGE THE MOTORS AND VOID THE WARRANTY

- Place the cleaner into the pool and if needed rock the cleaner side to side to release any trapped air. The cleaner will sink to the bottom of the pool.
- Put enough of the blue cord into the water to assure that the cleaner can easily reach all areas of the pool. (Do not place ALL of the blue cord into the pool).
- The cleaner will begin its cleaning program.
- The cleaner will automatically shut itself down after three hours.
- If a second cleaning is required or the unit is accidentally shut off, you should wait one minute before switching the unit on again.



IMPORTANT NOTE: During normal operation, the cleaner will appear to shut off for a few seconds. This is normal and part of the pool cleaning program. The unit has multiple ways of cleaning the walls. It may climb to the top, scrub, then make a turn and drive back down the wall to the bottom of the pool. It may also climb to the top, shut down for a few seconds, remove itself from the wall, turn its pump motor on again, pushing itself down to the bottom of the pool away from the wall. It could also climb the wall, scrub the waterline, turn its pump motor off, and float away from the wall down to the bottom. All of these variations have been programmed into the cleaner and are designed to most quickly and efficiently clean your entire pool.

This unit has been designed to clean all areas of your pool. It will climb the walls, and occasionally break the surface. In the process of climbing the wall it may stay on the surface and continue to operate from several seconds to a few minutes. This is normal operation procedure and the cleaner will eventually make its way to the bottom to continue its cleaning. Since most of the dirt is concentrated on the floor of the pool, the cleaner will spend the majority of its time on the floor.

REMOVING THE CLEANER FROM THE POOL

- Slowly pull the blue cord to get the cleaner to the pool surface and near the edge of the pool. DO NOT PULL THE CLEANER OUT OF THE POOL BY THE CORD.
- Reach down and grasp the handle of the cleaner and remove it from the pool as shown below.



FIGURE 1: Grasping Handle



FIGURE 2: Lift from Pool by Handle

The unit should be stored in an area that will afford some protection from the elements to insure that it retains its finish.

CLEANING THE FILTER BAG (Filter Bag Should Be Cleaned After Every Use.)

- Turn cleaner upside down and place on ground so the bottom lid is exposed.
- Press the two red tabs inward towards the center of the cleaner as shown in fig. 3. Lift the bottom lid with the filter bag up and out of the cleaner.

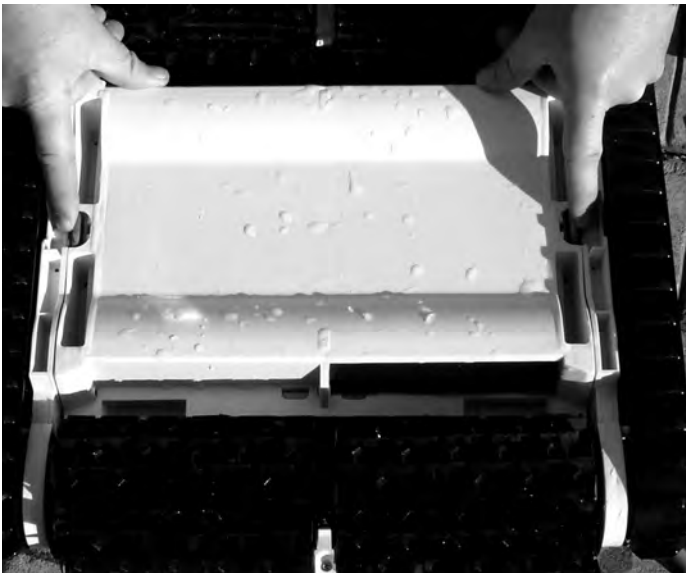


FIGURE 3

- Grasp the bottom lid firmly, with one hand and use your other hand to grab the filter bag material and pull it away and up from the bottom lid. Remove the debris from the bag.



FIGURE 4

- Turn filter bag inside out and hose off all debris as shown in Fig 5. If very dirty it may be washed in your washing machine, inside out, with cold water, mild detergent, and by itself. Do NOT put in the dryer.



FIGURE 5

- Hose all debris off the bottom lid being sure to get all dirt out of the fine filters on the intake doors as shown in Fig 6.



FIGURE 6

- To reapply the filter bag, first turn it right side out. Next place the filter bag frame onto the bottom lid being sure that the bag frame seats fully into the channel. Check the seat of the filter onto the bottom lid (see Figure 7)

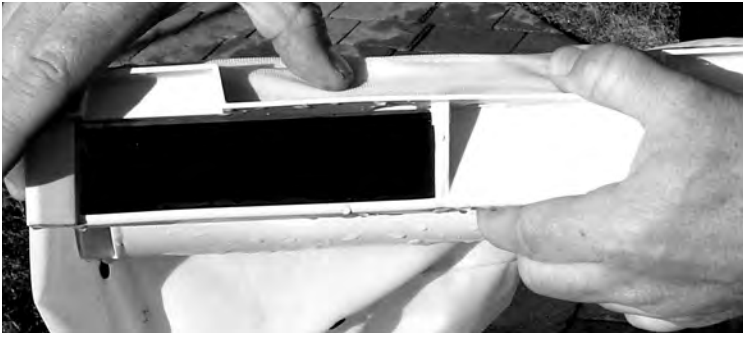


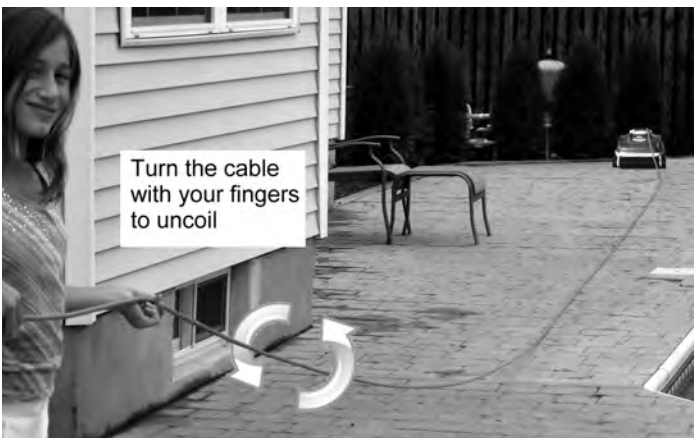
FIGURE 7

- Push the bag frame into the channel all the way around including the corners. The bag is now installed.
- Pick up the bottom lid and turn it over so the bag hangs below it. Place the bottom lid back into the cleaner being careful to feed the filter bag into the body of the cleaner. **MAKE SURE ALL FILTER MATERIAL IS INSIDE THE CLEANER OTHERWISE THE LID WILL NOT CLOSE AND LATCH PROPERLY.**
- Once the bottom lid is seated press it firmly into the cleaner. Gently pull on the bottom lid to insure that it is properly locked in. The lid is now installed.

CABLE MAINTENANCE

In the course of using your Scrubber60, the cord may begin to coil. Excessive coiling can lead to improper cleaning coverage of your pool.

- To uncoil the cord, it is best that the cable is wet.
- Place the cleaner on the ground as shown below.
- Be sure to use a clear area that will allow the cord to stretch out in a straight line.
- Pull the cable so it is off the ground
- Using your fingers, roll the cable in the opposite direction that it is coiled in.
- When straight, wrap cable for storage as shown below.



STORING THE CABLE

- Loosely loop the cable as shown below.

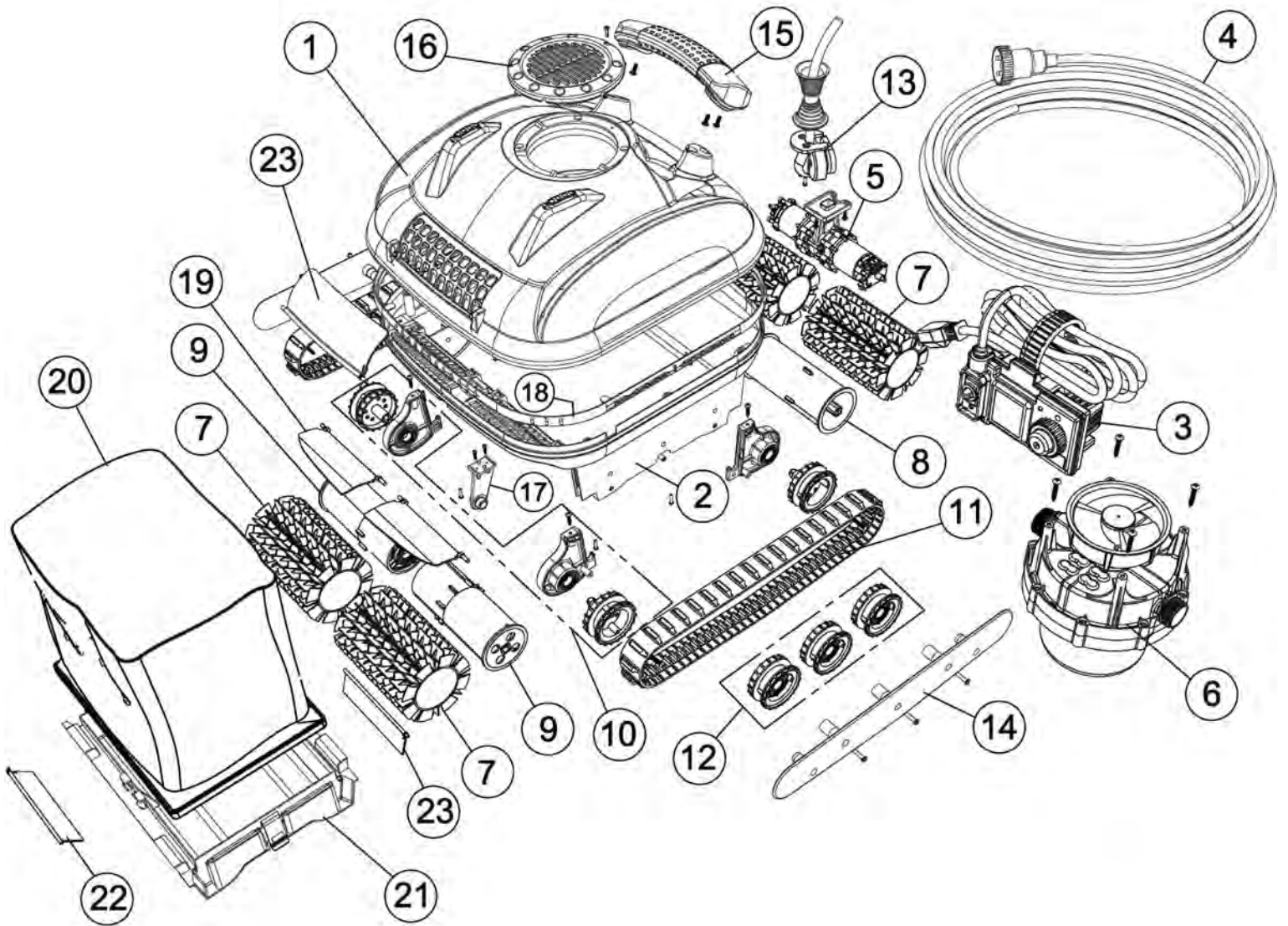


Hold the cord close to the cleaner. Make a roughly two foot loop with the cord as shown.

When making loop, roll the cable slightly in a counter clockwise manner to maintain form. **DO NOT WRAP THE CORD TIGHTLY AROUND OBJECTS.**

WINTER STORAGE

If temperatures will regularly be below 45 degrees Fahrenheit or 5 degrees Celsius, the cleaner and power supply should be stored indoors.



SMARTPOOL SCRUBBER60 NC71 PARTS LIST

Location	Part #	Description
1	NC7115	NC71 Top Shell
2	NC7106	NC71 Scrubber Lower Chassis
3	NC7122	NC71 Power Supply
4	NC7123	NC71 Floating Cord
5	NC7107	NC71 Drive Motor
6	NC7113	NC71 Pump Motor
7	NC1004	NC71 Drive Brush (2pc Set)
8	NC7108	NC71 Drive Wheel Tube
9	NC7112	NC71 Non Drive Wheel Tube
10	NC7104	NC71 Brush Mount with Bearing and Drive Wheel (L & R) (1 Set/1Side)
11	NC7116	NC71 Tracks
12	NC7117	NC71 Track Wheels (Set of 6)
13	NC7105	NC71 Cable Strain Relief
14	NC7118	NC71 Track Wheel Covers (L & R)
15	NC7109	NC71 Handle
16	NC7110	NC71 Impeller Cover
17	NC7103	NC71 Brush Center Bracket
18	NC7110	NC71 Upper and Lower Gasket Seal
19	NC7111	NC71 Inner Quick Drain Flaps
20	NC7120	NC71 Filter Bag
21	NC7102	NC71 Bottom Lid
22	NC7101	NC71 Bottom Lid Door
23	NC7114	NC71 Top Return Flap

SmartPool reserves the right to revise without notice. SmartPool is not responsible for typographical errors.

TROUBLESHOOTING GUIDE

SYMPTOM	POSSIBLE REASON	SOLUTION
Cord twisting or cable coils up	Obstruction in pool	Remove obstruction in pool.
	Too much cord is being placed in pool.	Only add enough cord into pool for the cleaner to reach the bottom. Allow the cleaner to pull in the extra cord when needed.
	Excessive coiling	Uncoil the cord (see page 3 for Cable Maintenance).
	Cord is attached to the power supply	Make sure to disconnect the cord from the power supply after each use to alleviate any tension.
Scrubber60 is moving in circles	Clogged filter bag	Clean filter bag (See Cleaning the filter bag on page 2).
	Bottom lid is not placed in the cleaner properly	Remove the bottom lid and make sure that the filter bag is on properly and place back onto cleaner. (See page 3 Figure 7)
	Debris is caught in track	Gently lift up all tracks to make free and clear of any debris.
Scrubber60 is not covering all areas of the pool	Power supply is wrongly positioned	Place power supply in a position so that the cleaner can reach all walls.
	Pool filter pump is on	Turn off pool filter pump.
	The floor and the walls are too slick	Brush down the floors and the walls.
	Excessive coiling	Uncoil the cord (see page 3 for Cable Maintenance).
	Debris is caught in track	Gently lift up all tracks to make free and clear of any debris.
Scrubber60 does not climb walls	Debris in filter bag	Empty and wash filter bag.
	The floor and the walls are too slick	Brush down the floors and the walls.
	Water is too cold	Make sure water temperature is at least 60j.
	Brushes are worn out	Replace brushes - contact your dealer.
Cleaner is not moving	Debris is in filter bag	Test cleaner without filter bag. If cleaner starts to move then clean the filter bag.
	Bottom lid is not installed properly	Remove bottom lid and make sure that the filter bag is on properly and place back onto cleaner. (See page 3 Figure 7)
	Debris is caught in track	Gently lift up all tracks to make free and clear of any debris.
Scrubber60 will not sink	Air caught in filter bag	Remove cleaner from the pool. Wash filter bag. Place cleaner back into pool rocking the cleaner back and forth to release the air.
Scrubber60 is doing wheelies	Debris is in filter bag	Test cleaner without filter bag. If cleaner does not do wheelies then clean the filter bag.
	Debris caught around impeller tube	Check impeller tube to see if there is any hair or debris and remove.
	Bottom lid is not installed properly	Remove bottom lid and make sure that the filter bag is on properly and place back onto cleaner. (See page 3 Figure 7)
	Debris is caught in track	Gently lift up all tracks to make free and clear of any debris.
Scrubber60 is climbing out of water	Air trapped in filter bag	Test cleaner without filter bag. If cleaner does not climb out of water then clean the filter bag.
LED on power supply is not lighting	Faulty GFI Outlet	Test the power supply by using another GFI outlet.
	Faulty extension cord	Remove the Extension cord and plug the power supply directly into a GFI outlet.
Cleaner is only moving a few feet	Improper installation of the bottom lid and/or filter bag	Test cleaner without filter bag (placing the bottom lid back on). If the cleaner is traveling more than a few feet then reinstall the bottom lid and the filter bag.
<p>If your cleaner is still not performing properly after all of the troubleshooting has been performed please contact SmartPool, Inc., Inc. Customer Support at 1-732-730-9880. You can also visit our website at http://www.smartpool.com/website/repairs.html for additional videos and troubleshooting.</p>		

2-YEAR LIMITED WARRANTY

This product has been manufactured, tested and inspected in accordance with carefully specified engineering requirements. It is warranted to be free from defects in materials and workmanship under normal use and service, subject to qualifications, conditions and limitations described below.

SmartPool, Inc. 2 Year Limited Warranty:

One year full warranty, 2 years on Drive Motor and Pump Motor. This warranty applies only while using this product in the United States and Canada.

This warranty extends to the first consumer/purchaser for a period of 24 months from the original date of purchase.

This warranty covers only normal and reasonable use. Any damage, defects, malfunctions or other failures arising from its use without the original transformer or any use which does not comply with the instructions in this manual, including failure of the purchaser to provide reasonable and necessary maintenance, will void this warranty.

The warranty obligations of SmartPool, Inc. shall be limited to repair or replacement of the product or any defective component, at the discretion of SmartPool, Inc. The repair or replacement may include the use of refurbished components and/or units. SmartPool, Inc. will not be liable or responsible under any circumstances or in any amount for any consequential or incidental damages, for any injury or damages to persons or property using or used in connection with this product, or for loss of profits or other costs or expenses of any kind or character.

This warranty does not include replacements of the filter bag, bottom lid, brushes and tracks.

THERE ARE NO OTHER WARRANTIES OR REPRESENTATIONS, EITHER EXPRESSED OR IMPLIED, WHETHER OF MERCHANTABILITY, FITNESS FOR A PARTICULAR PURPOSE, OR OTHER, MADE BY SMARTPOOL, INC. OTHER THAN THOSE SPECIFICALLY SET FORTH IN THIS WARRANTY. NO PERSON, FIRM, OR CORPORATION IS AUTHORIZED TO MAKE ANY REPRESENTATIONS OR INCUR ANY OBLIGATIONS IN THE NAME OF OR ON BEHALF OF SMARTPOOL, INC., EXCEPT AS STATED HEREIN. THE REMEDIES SET FORTH IN THIS WARRANTY ARE EXPRESSLY UNDERSTOOD TO BE THE EXCLUSIVE REMEDIES AVAILABLE TO THE PURCHASER, AND THIS WARRANTY CONTAINS THE FULL AND COMPLETE AGREEMENT BETWEEN SMARTPOOL, INC. AND THE PURCHASER. THIS WARRANTY SETS FORTH THE ONLY OBLIGATIONS OF SMARTPOOL, INC. WITH REGARDS TO THIS PRODUCT, AND THERE ARE NO WARRANTIES WHICH EXTEND BEYOND THE DESCRIPTION ON THE FACE HEREOF.

This warranty gives you specific legal rights and you may also have other rights which vary from state to state.

To obtain warranty service, call SmartPool, Inc. Customer Support Specialist at 1-732-730-9880, Monday – Friday, 9:00 a.m. – 5:00 p.m. EST.

CAUTION:

Some vinyl liners are more susceptible to surface wear and pattern removal than others, caused by objects such as brushes, toys, floats, chlorine dispensers, and automatic pool cleaners coming into contact with the vinyl surface. Such patterns can be easily scratched or abraded merely by rubbing the surface with a brush. Pattern ink can also rub off when they come into contact with objects in the pool. SmartPool, Inc. is not responsible for, nor does this limited warranty cover pattern removal, abrasion, and markings on or damage to any kind of vinyl liner.

GARANTIE LIMITÉE DE DEUX ANS

Ce produit a été fabriqué, testé et vérifié conformément aux exigences techniques particulières. Il est garanti contre les défauts matériels et les vices de fabrication dans des conditions normales d'utilisation, et il est soumis aux conditions et aux limitations décrites ci-dessous.

Garantie limitée de deux ans de SmartPool, Inc. :

Garantie complète d'un an et garantie de deux ans sur le moteur d'entraînement et sur le moteur d'aspiration. La présente garantie s'applique uniquement à l'utilisation du produit au Canada et aux États-Unis.

La garantie est offerte au premier acheteur ou consommateur pendant une durée de 24 mois suivant la date initiale de l'achat.

La garantie porte uniquement sur l'utilisation normale et raisonnable. Tout dégât, défaut, mauvais fonctionnement ou toute autre défaillance résultant de l'utilisation de l'unité sans le transformateur d'origine ou de toute utilisation non conforme aux instructions contenues dans le présent guide, notamment le défaut d'entretien raisonnable et nécessaire par l'acheteur, annulent la présente garantie.

Les obligations de la garantie de SmartPool, Inc. sont limitées à la réparation ou au remplacement du produit ou de tout composant défectueux, au gré de SmartPool, Inc. La réparation ou le remplacement de pièces peut inclure le recours aux composants et aux appareils remis à neuf. En aucun cas ou pour quelque montant que ce soit, SmartPool, Inc. ne sera tenu responsable de dommages indirects ou accidentels, de préjudices ou de blessures survenus à des personnes utilisant l'appareil, ou à des biens utilisés en rapport avec celui-ci, ou encore d'aucune perte de profit ou coûts et dépenses de quelque type ou nature que ce soit.

La présente garantie ne porte pas sur le remplacement du sac à filtre, du couvercle inférieur, des brosses, ou des chenilles.

SMARTPOOL, INC. N'A CONCÉDÉ AUCUNE AUTRE GARANTIE ET N'A FORMULÉ AUCUNE DÉCLARATION EXPRESSE OU IMPLICITE CONCERNANT LA QUALITÉ MARCHANDE, L'ADAPTATION À UN USAGE PARTICULIER OU AUTRE, EN DEHORS DES DISPOSITIONS EXPRESSÉMENT INDIQUÉES DANS LA PRÉSENTE GARANTIE. AUCUNE PERSONNE, PERSONNE MORALE OU ENTREPRISE N'EST AUTORISÉE À FAIRE DES OBSERVATIONS OU À CONTRACTER DES OBLIGATIONS AU NOM DE SMARTPOOL, INC., À L'EXCEPTION DES DISPOSITIONS MENTIONNÉES AUX PRÉSENTES. LES PROCÉDURES DE RECOURS MENTIONNÉES DANS LA PRÉSENTE GARANTIE SONT EXPRESSÉMENT COMPRIS COMME ÉTANT DES PROCÉDURES DE RECOURS DISPONIBLES POUR LE PROPRIÉTAIRE DE L'APPAREIL, ET CETTE GARANTIE CONSTITUE L'ACCORD INTÉGRAL ET EXHAUSTIF ENTRE SMARTPOOL, INC. ET LE PROPRIÉTAIRE DE L'APPAREIL. LA PRÉSENTE GARANTIE ÉTABLIT LES SEULES OBLIGATIONS DE SMARTPOOL, INC. RELATIVES À L'APPAREIL; IL N'EXISTE AUCUNE AUTRE GARANTIE S'ÉTENDANT AU-DELÀ DE LA DESCRIPTION FAITE AUX PRÉSENTES.

La présente garantie vous octroie des droits reconnus par la loi, et il se peut que vous ayez d'autres droits variant d'un État à l'autre, ou d'une province à l'autre.

Pour obtenir un service au titre de la garantie, appelez un représentant technique (Customer Support Specialist) de SmartPool, Inc. au 1-732-730-9880, du lundi au vendredi de 9 h à 17 h HNE.

ATTENTION :

Certains liners de vinyle sont davantage sujets à la dégradation superficielle ou à l'usure des motifs dues à des objets comme les brosses, les flotteurs, les jouets, les distributeurs de chlore et les aspirateurs de piscine automatiques lorsque ceux-ci entrent en contact avec les surfaces de vinyle. De tels motifs peuvent être sérieusement égratignés ou abrasés, rien qu'en frottant la surface à la brosse. L'encre des motifs peut également s'estomper en cas de contact avec des objets dans la piscine. SmartPool, Inc. n'est pas responsable de l'usure des motifs, de l'abrasion, des marques ou de tout autre dommage de quelque sorte que ce soit survenant aux liners de vinyle, pas plus que la présente garantie limitée ne couvre les dommages cités.

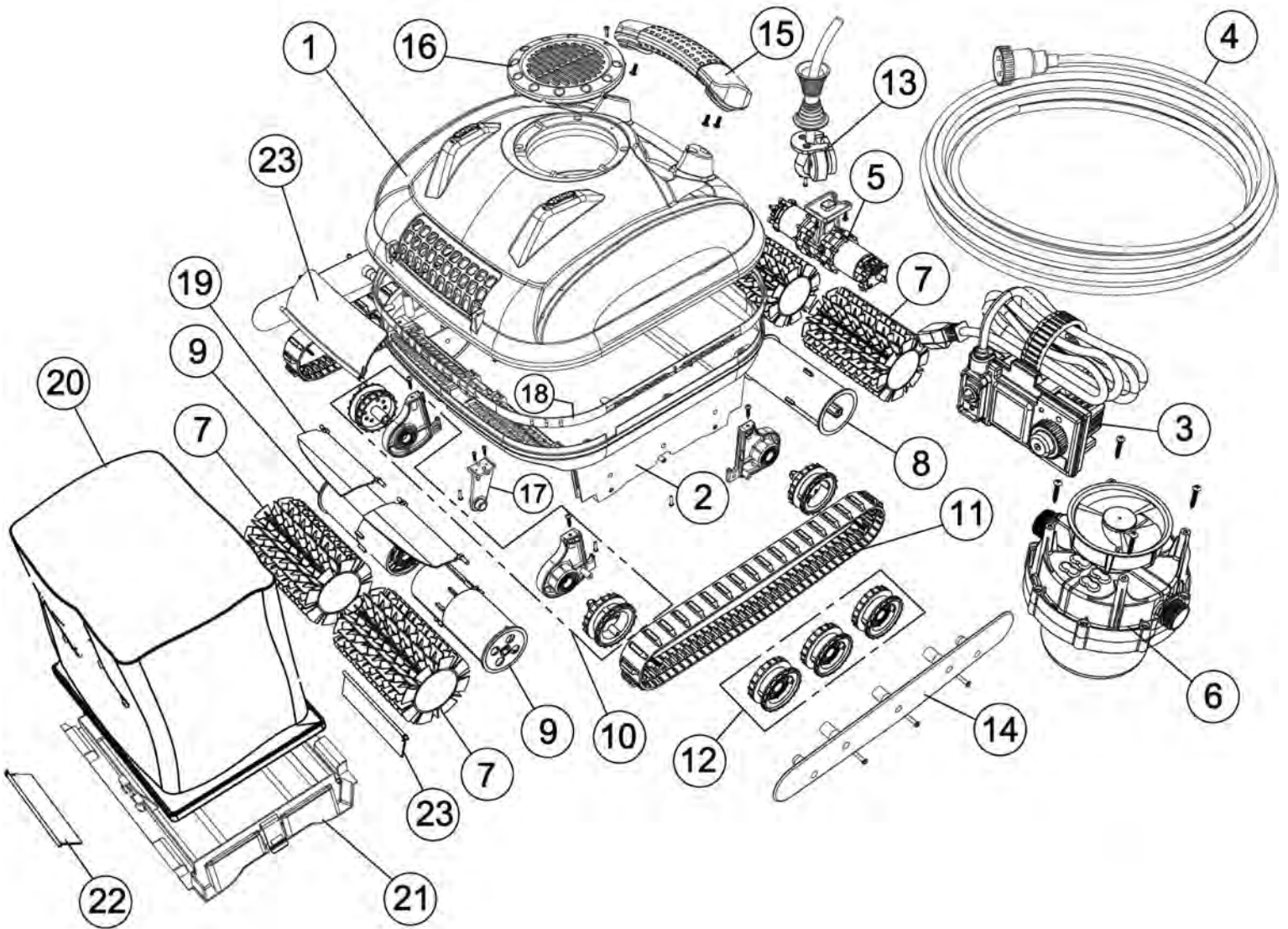
Guide de dépannage

SYMPTÔME	RAISON POSSIBLE	SOLUTION
Le cordon se tord ou le câble s'enroule	Obstruction dans la piscine	Enlever l'obstruction dans la piscine.
	La longueur du cordon placée dans la piscine est trop importante.	Ne placez dans la piscine qu'une longueur de cordon suffisante pour permettre à l'appareil de nettoyage d'atteindre le fond. Laissez le cordon excédentaire rentrer dans l'appareil de nettoyage, au besoin.
	Enroulement excessif	Déroulez le cordon (se reporter à la page 3, Entretien du câble)
	Le cordon est branché au bloc d'alimentation	Assurez-vous de débrancher le cordon du bloc d'alimentation après chaque utilisation afin de soulager la tension
Scrubber60 se déplace en cercle	Sac à filtre obstrué	Nettoyez le sac à filtre (se reporter à Nettoyage du sac à filtre, sur la page 2)
	Le couvercle inférieur n'est pas posé correctement dans l'appareil de nettoyage	Enlevez le couvercle inférieur, assurez-vous que le sac à filtre est installé correctement et remettez-le dans l'appareil de nettoyage. (Voir page 3, figure 7)
	Débris emprisonnés dans le rail	Soulevez doucement tous les rails pour enlever les débris
Scrubber60 ne couvre pas l'ensemble de la piscine	Le bloc d'alimentation est mal positionné	Positionnez le bloc d'alimentation de façon à ce que l'appareil de nettoyage puisse atteindre toutes les parois.
	La pompe pour filtration de la piscine est en marche	Eteignez la pompe pour filtration de la piscine.
	Le sol et les parois sont trop glissants	Brossez le sol et les parois.
	Enroulement excessif	Déroulez le cordon (se reporter à la page 3, Entretien du câble)
	Débris emprisonnés dans le rail	Soulevez doucement tous les rails pour enlever les débris
Scrubber60 ne monte pas sur les parois	Débris dans le sac à filtre	Videz le sac à filtre et lavez-le.
	Le sol et les parois sont trop glissants	Brossez le sol et les parois.
	L'eau est trop froide	Assurez-vous que la température de l'eau atteint au moins 60°.
	Les brosses sont usées	Remplacez les brosses – communiquez avec votre fournisseur.
L'appareil de nettoyage ne se déplace pas	Débris dans le sac à filtre	Essayez l'appareil de nettoyage sans le sac à filtre. Si l'appareil de nettoyage commence à se déplacer, nettoyez le sac à filtre.
	Le couvercle inférieur n'est pas installé correctement	Enlevez le couvercle inférieur, assurez-vous que le sac à filtre est installé correctement et remettez-le dans l'appareil de nettoyage. (Voir page 3, figure 7)
	Débris emprisonnés dans le rail	Soulevez doucement tous les rails pour enlever les débris
Scrubber60 ne s'enfonce pas dans l'eau	Air emprisonné dans le sac à filtre	Sortez l'appareil de nettoyage de la piscine. Lavez le sac à filtre. Remettez l'appareil de nettoyage dans la piscine, en le balançant d'avant en arrière pour faire sortir l'air
Scrubber60 fait des cabrés	Débris dans le sac à filtre	Essayez l'appareil de nettoyage sans le sac à filtre. Si l'appareil de nettoyage ne fait pas de cabrés, nettoyez le sac à filtre.
	Débris emprisonnés autour du tube de la roue	Vérifiez le tube de la roue afin de déceler la présence de cheveux ou de débris, et enlevez-les au besoin.
	Le couvercle inférieur n'est pas installé correctement	Enlevez le couvercle inférieur, assurez-vous que le sac à filtre est installé correctement et remettez-le dans l'appareil de nettoyage. (Voir page 3, figure 7)
	Débris emprisonnés dans le rail	Soulevez doucement tous les rails pour enlever les débris
Scrubber60 sort de l'eau	Air emprisonné dans le sac à filtre	Essayez l'appareil de nettoyage sans le sac à filtre. Si l'appareil de nettoyage ne sort pas de l'eau, nettoyez le sac à filtre.
Le voyant DEL du bloc d'alimentation ne s'allume pas	Prise avec disjoncteur de fuite de terre défectueuse	Vérifiez le bloc d'alimentation en utilisant une autre prise avec disjoncteur de fuite de terre.
	Rallonge défectueuse	Enlevez la rallonge et branchez le bloc d'alimentation directement sur une prise avec disjoncteur de fuite de terre.
L'appareil de nettoyage ne parcourt que quelques pieds.	Installation incorrecte du couvercle inférieur ou du sac à filtre	Essayez l'appareil de nettoyage sans le sac à filtre (remettez d'abord le couvercle inférieur). Si l'appareil de nettoyage parcourt plus de quelques pieds, réinstallez le sac à filtre et le couvercle inférieur.
Si, après avoir suivi toutes les étapes de dépannage, votre appareil de nettoyage ne fonctionne toujours pas bien, veuillez communiquer avec le service à la clientèle de SmartPool, Inc. au 1-732-730-9880. Vous pouvez également vous rendre sur notre site Web à l'adresse http://www.smartpool.com/website/repairs.html pour visionner des vidéos et pour des solutions de dépannage supplémentaires.		

VUE ÉCLATÉE DES PIÈCES DE LA BROSSEUSE DE PAROIS DE SCRUBBER60 NC71

N° SCHÉMA	N°PRODUIT	Description
1	NC7115	NC71 Coque du dessus
2	NC7106	NC71 Châssis inférieur de la brosseuse
3	NC7122	NC71 Bloc d'alimentation
4	NC7123	NC71 Cordon d'alimentation flottant
5	NC7107	NC71 Moteur d'entraînement
6	NC7113	NC71 Moteur de la pompe
7	NC1004	NC71 Brosse d'entraînement (ensemble à 2 pièces)
8	NC7108	NC71 Tube de roue motrice
9	NC7112	NC71 Tube de roue non motrice
10	NC7104	NC71 Support de brosses avec roulement et roue motrice (1 ensemble de chaque côté)
11	NC7116	NC 71 Chenilles
12	NC7117	NC71 Roues des chenilles (ensemble de 6)
13	NC7105	NC71 Protecteur de cordon d'alimentation
14	NC7118	NC71 Garde-roues des chenilles (de chaque côté)
15	NC7109	NC71 Poignée
16	NC7110	NC71 Couvercle de tête de pompe
17	NC7103	NC71 Support central des brosses
18	NC7110	NC71 Joints d'étanchéité supérieur et inférieur
19	NC7111	NC71 Volets d'entrée à débit rapide
20	NC7120	NC71 Sac-filtre
21	NC7102	NC71 Couvercle inférieur
22	NC7101	NC71 Trappe du couvercle inférieur
23	NC7114	NC71 Volet supérieur de sortie

SmartPool, Inc. se réserve le droit de modifier les présentes, et ce, sans préavis. SmartPool, Inc. décline toute responsabilité quant aux erreurs typographiques.



- Pour remettre en place le sac, commencer par le mettre dans le bon sens. Ensuite, insérer l'armature du sac dans les rainures prévues à cet effet dans la plaque de support. Vérifier que le sac soit bien inséré dans la plaque de support.



IMAGE 7

- Pousser fermement l'armature du sac, dans les rainures. Le sac est désormais en place.
- Saisissez le couvercle inférieur, puis retournez-le de façon à ce que le sac pende sous celui-ci. Remettez le couvercle inférieur sur le nettoyeur en prenant garde à insérer le sac à filtre dans le nettoyeur. **ASSUREZ-VOUS QUE LE FILTRE EST À L'INTÉRIEUR DU NETTOYEUR SINON LE COUVERCLE NE FERMERA PAS ET NE SE VERROUILLERA PAS.**
- Mettre en place la plaque de support dans le robot. Vérifier que la plaque de support de sac soit bien positionnée sur le corps du nettoyeur et refermer les loquets. La plaque et le sac sont désormais en place.

Entretien du cordon

Pendant l'utilisation du Scrubber60, il se peut que le cordon commence à s'enrouler. Des torsades excessives peuvent faire en sorte que l'aspirateur ne nettoie pas toute la surface de la piscine.

- Pour dérouler le cordon, il est préférable qu'il soit humide.
- Posez le nettoyeur sur le sol tel qu'indiqué ci-dessous.
- Assurez-vous de le poser dans un endroit dégagé où vous pourrez étendre le cordon sur toute sa longueur.
- Tirez sur le cordon de façon à ce qu'il ne touche pas le sol.
- À la main, tournez le cordon dans le sens opposé.
- Une fois que le cordon est tendu, enrroulez-le pour le ranger, tel qu'indiqué ci-dessous.



Rangement du cordon

- Enroulez le cordon de façon lâche tel qu'indiqué ci-dessous.



Tenez le cordon à proximité du nettoyeur. Formez une boucle d'environ deux pieds avec le cordon, tel qu'indiqué.

Au moment de former la boucle, enrroulez le cordon légèrement dans le sens contraire des aiguilles d'une montre pour maintenir sa forme.

NE SERREZ PAS LE CORDON AUTOUR D'OBJETS.

Stockage pour l'hiver

Si les températures tombent régulièrement en dessous de 5 degrés Celsius (45 degrés Fahrenheit), le nettoyeur et le bloc d'alimentation doivent être rangés à l'intérieur.

Retirer le nettoyeur de la piscine

- Tirez lentement sur le cordon bleu pour approcher le nettoyeur de la surface et du rebord de la piscine. **NE SORTEZ PAS LE NETTOYEUR DE LA PISCINE EN LE TIRANT PAR LE CORDON.**
- Penchez-vous et saisissez la poignée du nettoyeur pour le sortir de la piscine tel qu'indiqué ci-dessous.



Image 1 SAISIR LA POIGNÉE



Image 2 LE SORTIR DE LA PISCINE PAR LA POIGNÉE

L'appareil doit être conservé dans un endroit l'abritant des intempéries afin de protéger son revêtement.

Nettoyage du sac à filtre

Le sac à filtre doit être nettoyé après chaque utilisation.

- Retournez le nettoyeur et posez-le sur le sol, couvercle inférieur vers le haut.
- Presser les 2 loquets rouges vers le centre du robot comme illustré à la fig. 3. Soulever la plaque de support du sac du robot.

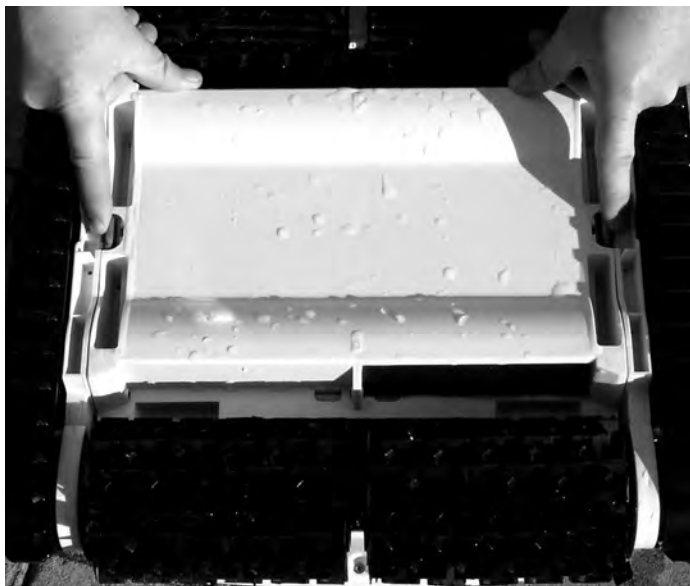


Image 3

- Retirer le sac de son support en agrippant d'une main la plaque de support et de l'autre le sac. Éliminer les impuretés se trouvant dans le sac.



Image 4

- Retournez le sac à filtre et nettoyez les débris à l'aide d'un jet d'eau tel qu'indiqué à l'image 5. Si le sac est très sale, vous pouvez le laver seul à la machine, à l'envers, à l'eau froide et avec un détergent doux.

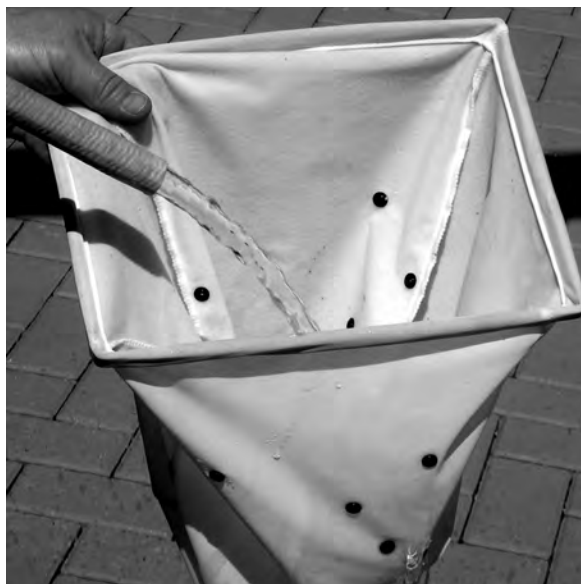


IMAGE 5

- Nettoyez tous les débris du couvercle inférieur pour vous assurer de retirer toute la saleté des filtres du déversoir, tel qu'indiqué à l'image 6.



IMAGE 6

Félicitations pour votre achat de l'aspirateur de piscine automatique le plus perfectionné du marché sur le plan technique. Le Scrubber60 est facile à utiliser et vous permet de nettoyer votre piscine à moindre coût et sans efforts. En suivant ce mode d'emploi simple, vous pourrez nettoyer votre piscine rapidement et de façon efficace à l'aide du Scrubber60 dès aujourd'hui et pour de nombreuses années à venir.

Installation

- Vérifiez que le bloc d'alimentation électrique est éteint (« off »).
- Branchez le bloc d'alimentation électrique sur une prise de courant (110 volts) protégée par un disjoncteur de fuite de terre GFI ou ELI.
- Ne branchez pas le bloc d'alimentation sur une rallonge électrique.
- Branchez le cordon du nettoyeur flottant sur le bloc d'alimentation.
- Branchez le connecteur du nettoyeur dans le bloc d'alimentation. Le connecteur est claveté et pourra donc être branché au bloc d'alimentation d'une seule façon. Assurez-vous que la prise est correctement enfoncée dans le bloc d'alimentation. Faites glisser la serrure du connecteur (collier de serrage) sur le connecteur et tournez-la dans le sens des aiguilles d'une montre jusqu'à ce qu'elle soit serrée.

NE FAITES PAS FONCTIONNER LE NETTOYEUR HORS DE L'EAU. FAIRE FONCTIONNER LE NETTOYEUR HORS DE L'EAU ABÎME LES MOTEURS ET ANNULE LA GARANTIE

- Placez le nettoyeur dans la piscine et, en cas de besoin, balancez-le d'un côté à l'autre pour libérer l'air pouvant être emprisonné à l'intérieur. Le nettoyeur s'enfoncera jusqu'au fond de la piscine.
- Laissez glisser une longueur suffisante du cordon bleu dans l'eau pour vous assurer que le nettoyeur atteint facilement toute la surface de la piscine.
- Le nettoyeur commence alors son programme de nettoyage.
- Il s'éteint automatiquement au bout de trois heures.
- Si un deuxième nettoyage s'avère nécessaire, ou si l'appareil s'est malencontreusement éteint, vous devez attendre une minute avant de rallumer l'unité.



REMARQUE IMPORTANTE :

En mode de fonctionnement normal, le robot peut sembler s'arrêter quelques secondes. Il s'agit d'une attitude normale faisant partie du programme de nettoyage du robot. L'appareil a différentes manières de nettoyer les murs. Il peut monter jusqu'à la surface, brosser la ligne d'eau, et redescendre vers le sol. Il peut également monter jusqu'à la surface, s'arrêter de fonctionner quelques secondes, s'éloigner du mur, se remettre en marche, sa pompe d'aspiration le propulsant vers le fond. Il peut enfin monter jusqu'à la surface, brosser la ligne d'eau, s'arrêter un moment et s'éloigner de la paroi en flottant avant de redescendre vers le fond. Toutes ces variations ont été programmées afin de nettoyer votre piscine rapidement et efficacement.

Cet appareil a été conçu pour nettoyer toutes les zones de votre piscine. Il montera aux parois, et atteindra la surface de temps en temps. Il est possible qu'une fois la surface atteinte, il semble continuer à progresser dans la même direction, ou flotter pendant quelques secondes à quelques minutes.

Il s'agit d'un fonctionnement normal, le nettoyeur reprendra ensuite son chemin vers le bas de la paroi pour poursuivre le nettoyage de la piscine. La majorité des impuretés se trouvant sur le sol, le nettoyeur se concentre sur le nettoyage du sol.

CONSIGNES DE SÉCURITÉ IMPORTANTES

LISEZ ET SUIVEZ TOUTES LES INSTRUCTIONS

-  **Danger :** Risque de choc électrique ou d'électrocution : le bloc d'alimentation électrique de ce produit doit être installé conformément au Code national de l'électricité et à tous les codes et règlements locaux applicables. Une mauvaise installation accroît les risques de chocs électriques pouvant causer la mort ou des blessures graves aux utilisateurs de la piscine ou à d'autres personnes ainsi que des dégâts matériels.
-  **MISE EN GARDE :** N'UTILISEZ PAS DE RALLONGES ÉLECTRIQUES, CAR ELLES PEUVENT CAUSER LA MORT OU DES BLESSURES.
-  **MISE EN GARDE :** Pour réduire les risques de blessures, n'autorisez aucun enfant à utiliser ce produit sans une surveillance étroite et permanente.
-  **MISE EN GARDE :** Si la température ambiante de l'air dépasse 46 °C (115 ° F), ne laissez pas le bloc d'alimentation électrique exposé aux rayons directs du soleil. Ne couvrez pas le bloc d'alimentation électrique.
-  **MISE EN GARDE :** Ce produit doit uniquement être utilisé en tant que nettoyeur de piscine robotisé, tel que décrit dans ce manuel; toute modification ou tout autre usage annule sa garantie.
-  **MISE EN GARDE :** N'autorisez aucun enfant à utiliser ou à toucher le bloc d'alimentation électrique de l'appareil ni à jouer à proximité.
-  **MISE EN GARDE :** Un disjoncteur de fuite de terre (GFCI aux États-Unis et ELI en Europe) doit être installé pour protéger votre prise de courant et éviter tout risque de choc électrique. Tout manquement à cette règle crée un risque de choc électrique pouvant tuer ou blesser gravement les utilisateurs de la piscine ou d'autres personnes ainsi que causer des dégâts matériels.
-  **MISE EN GARDE :** Ne branchez pas l'appareil sur le courant alternatif tant que l'installation n'est pas terminée.
-  **MISE EN GARDE :** N'utilisez pas le produit s'il est endommagé d'une quelconque manière.
-  **MISE EN GARDE :** L'appareil doit être entièrement immergé dans l'eau pour que la garantie s'applique.
-  **MISE EN GARDE :** Assurez-vous que le nettoyeur de piscine robotisé n'est pas branché à son bloc d'alimentation électrique avant de l'ouvrir ou d'effectuer toute opération d'entretien.
-  **MISE EN GARDE :** Pour éviter d'endommager le bloc d'alimentation ou le cordon électrique, ne déplacez jamais le bloc d'alimentation en le tenant par son cordon et ne tirez pas sur le cordon pour le débrancher de la prise de courant. Tirez plutôt directement sur la fiche elle-même pour la débrancher. Ne tirez pas sur le cordon lorsqu'il contourne des coins ou des rebords coupants.
-  **MISE EN GARDE :** Ne jouez pas avec le nettoyeur ni son câble et ne l'appliquez pas sur une quelconque partie du corps. Il peut aspirer et arracher les cheveux ou la peau. Les utilisateurs et nageurs peuvent trébucher sur le câble ou s'empêtrer dans le câble, ce qui peut provoquer des noyades.
-  **MISE EN GARDE :** Ne faites pas fonctionner l'appareil si le cordon ou le bloc d'alimentation est endommagé.
-  **MISE EN GARDE :** Avant d'installer le nettoyeur, veillez à bien comprendre sa garantie. Ce nettoyeur n'est pas conçu pour nettoyer automatiquement des marches ni fonctionner sous une couverture solaire. Il n'a pas non plus été conçu pour le premier nettoyage d'une piscine nouvellement installée.
-  **MISE EN GARDE :** Le nettoyeur ne doit pas être utilisé lorsque la piscine est en cours d'utilisation par des nageurs.
-  **MISE EN GARDE :** Le bloc d'alimentation électrique doit à tout moment se trouver à au moins 4 mètres (12 pi) du bord de la piscine!
-  **AVERTISSEMENT :** Il est recommandé, après chaque utilisation, de nettoyer le sac à filtre et de vérifier la turbine pour s'assurer qu'aucun débris ne peut empêcher le fonctionnement de l'appareil.
-  **AVERTISSEMENT :** Débranchez le bloc d'alimentation de la prise de courant lorsque l'appareil n'est pas utilisé.
-  **AVERTISSEMENT :** N'allumez PAS le nettoyeur de piscine (« ON ») s'il n'est pas immergé dans l'eau. Faire fonctionner le nettoyeur hors de l'eau peut l'endommager gravement et annule sa garantie. N'oubliez jamais de mettre le bloc d'alimentation électrique hors tension (« OFF ») et de le débrancher de la prise électrique avant de retirer le nettoyeur de la piscine.
-  **AVERTISSEMENT :** Si votre nettoyeur de piscine robotisé ne fonctionne pas comme il le devrait ou s'il est tombé ou est endommagé de quelque manière que ce soit, adressez-vous au service à la clientèle de SmartPool, Inc. au 1-732-730-9880 ou consultez notre site Internet www.smartpool.com avant de l'utiliser.

CES INSTRUCTIONS DOIVENT ÊTRE CONSERVÉES



MODE D'EMPLOI DU NETTOYEUR AUTOMATIQUE POUR SMARTPOOL SCUBBER60 NC71

www.smartpool.com

[Compliments of www.poolsandstuff.com](http://www.poolsandstuff.com)